

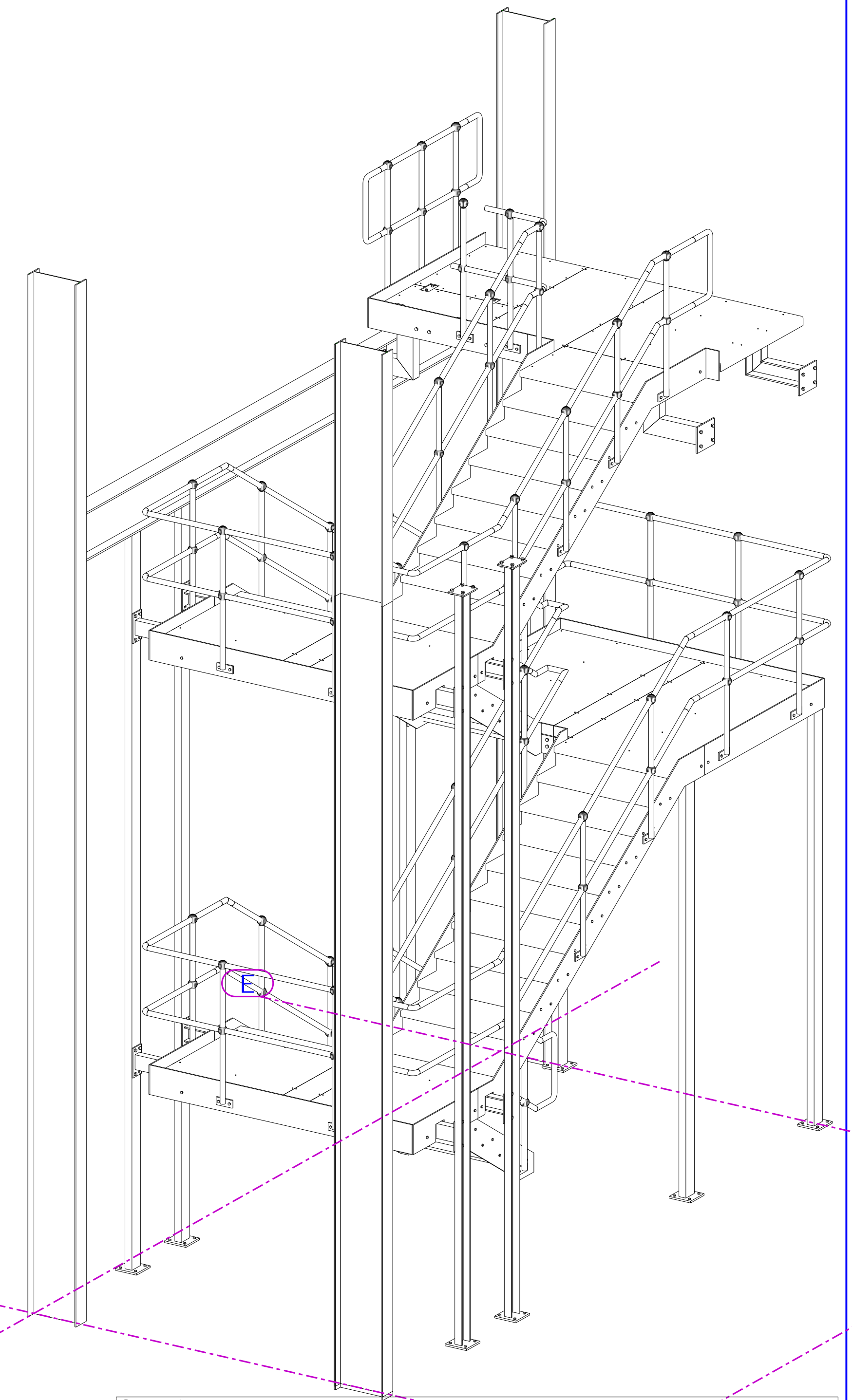
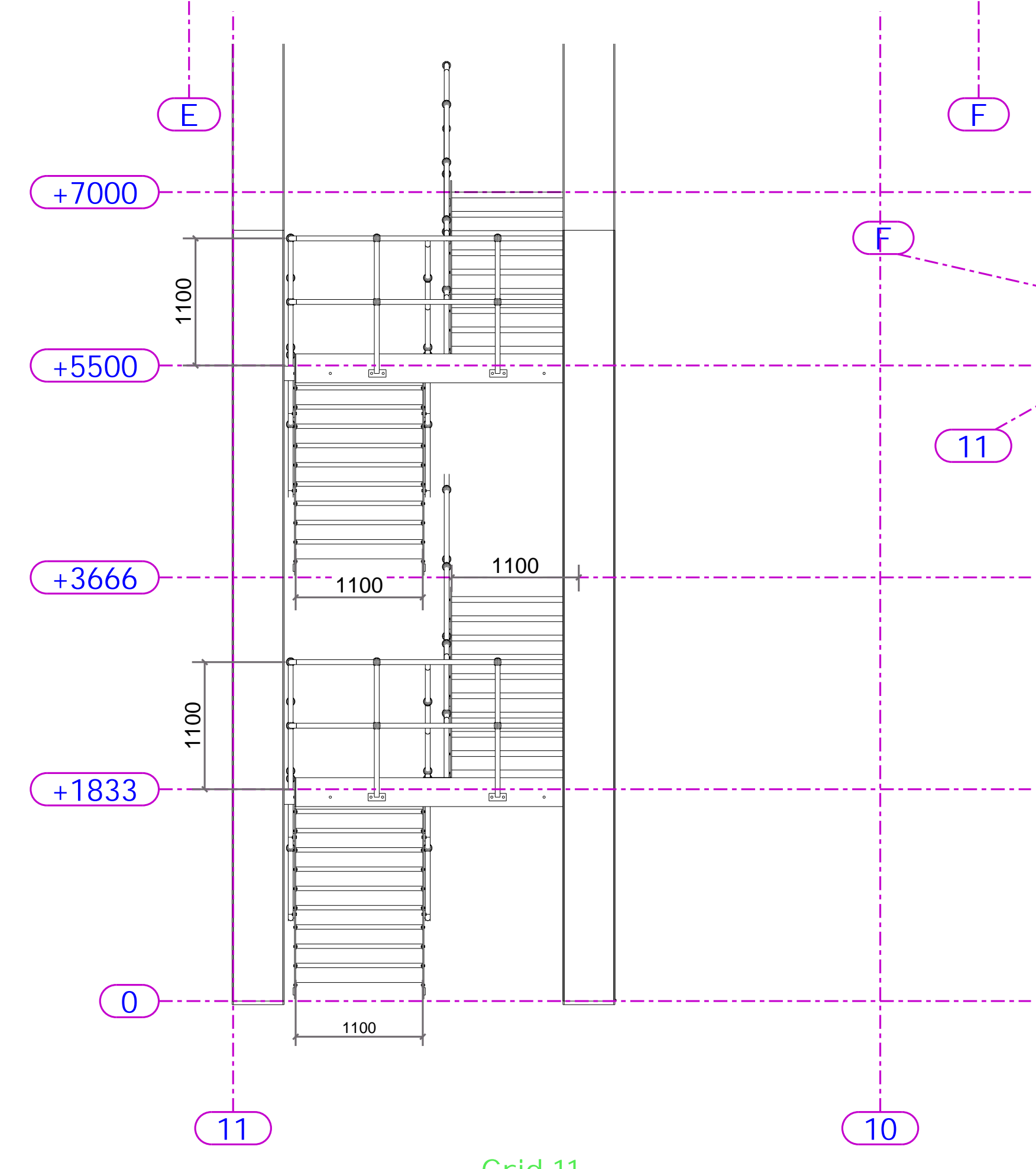
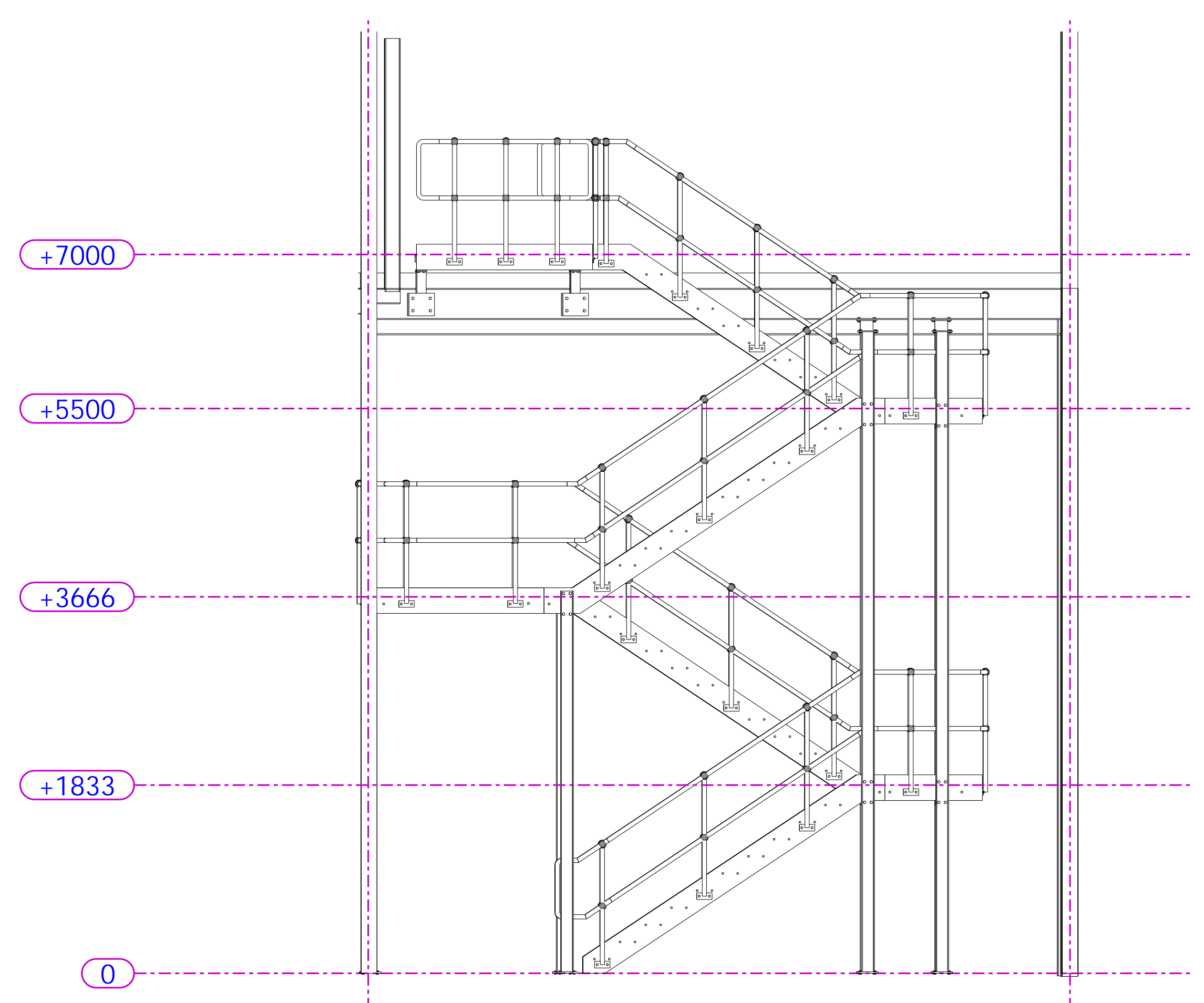
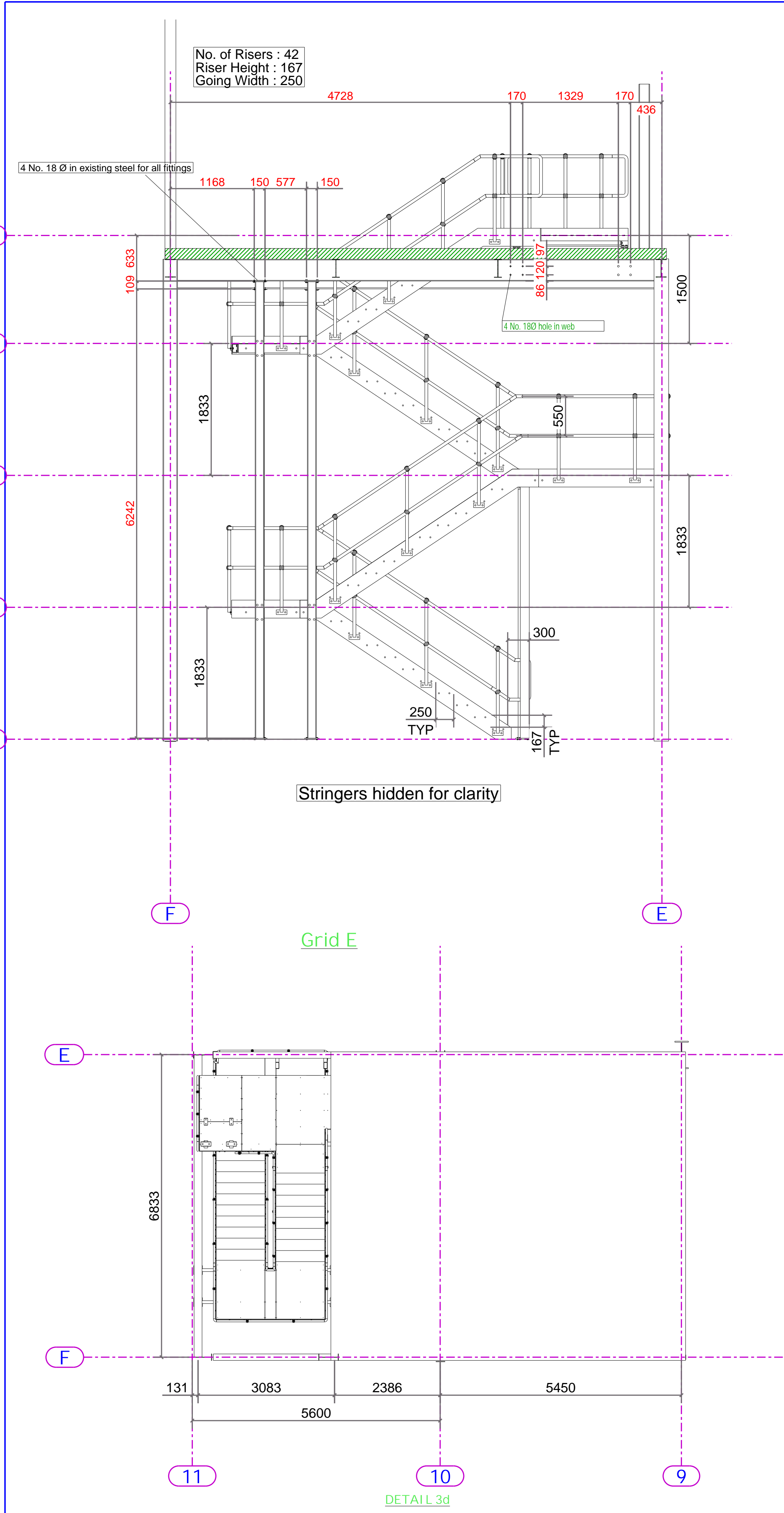
P23012 Wingates Plot 3

Drawing Register: MR Industrial

*Please note: All drawings listed below are hyperlinked to the drawings listed.
Please click on the drawing title to go directly to the drawing of your choice.*

Works Completed: Stainless
Steel Staircase & Balustrades

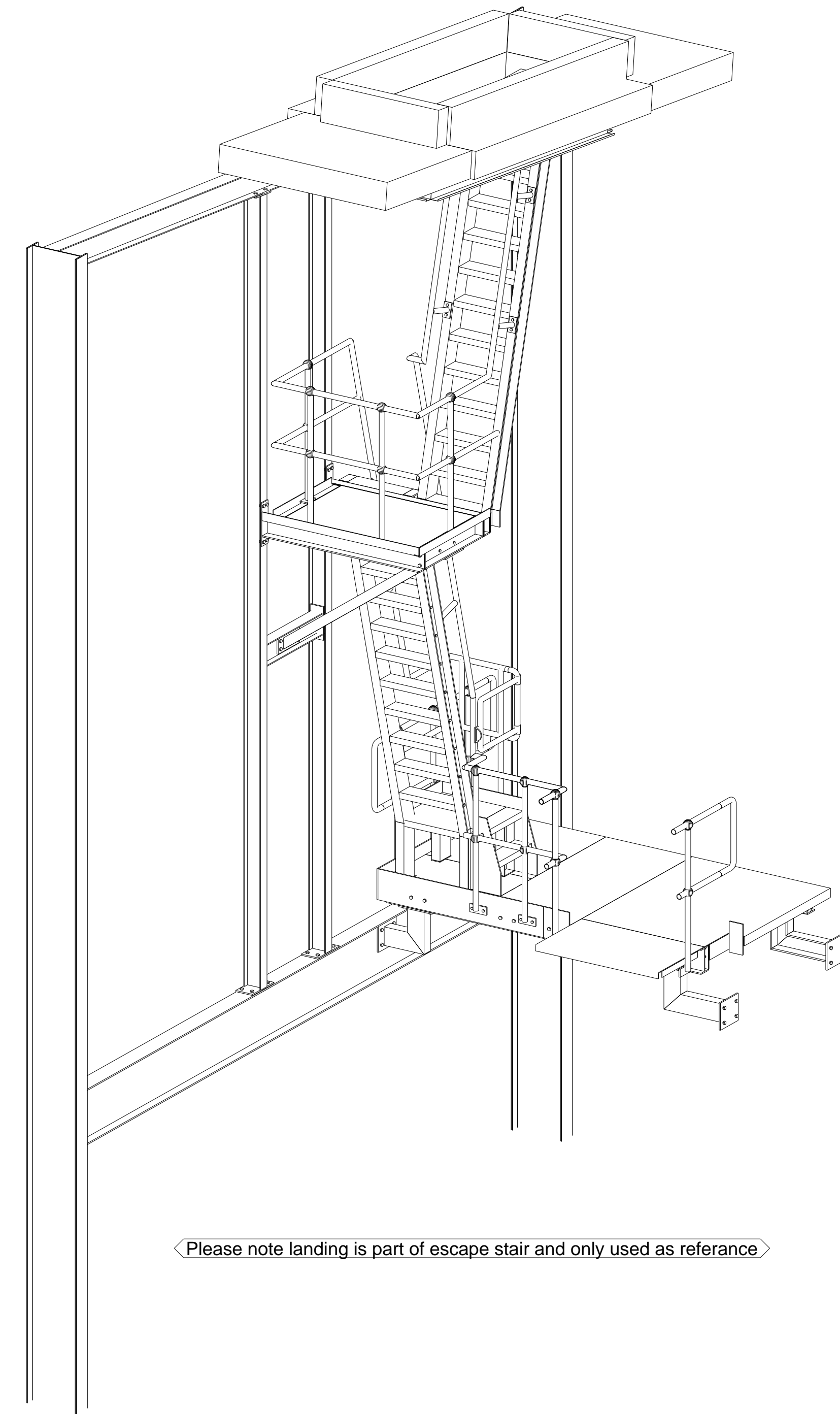
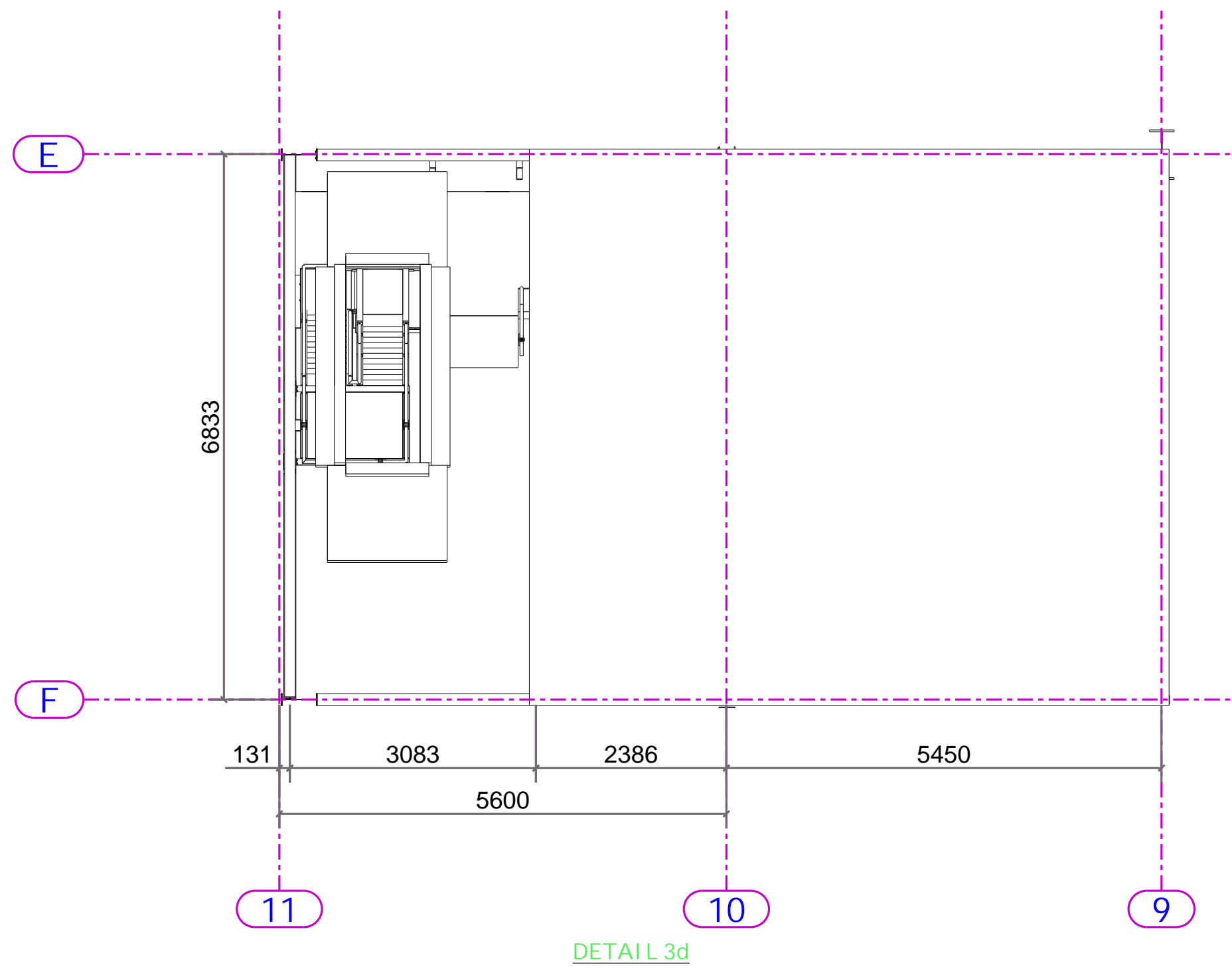
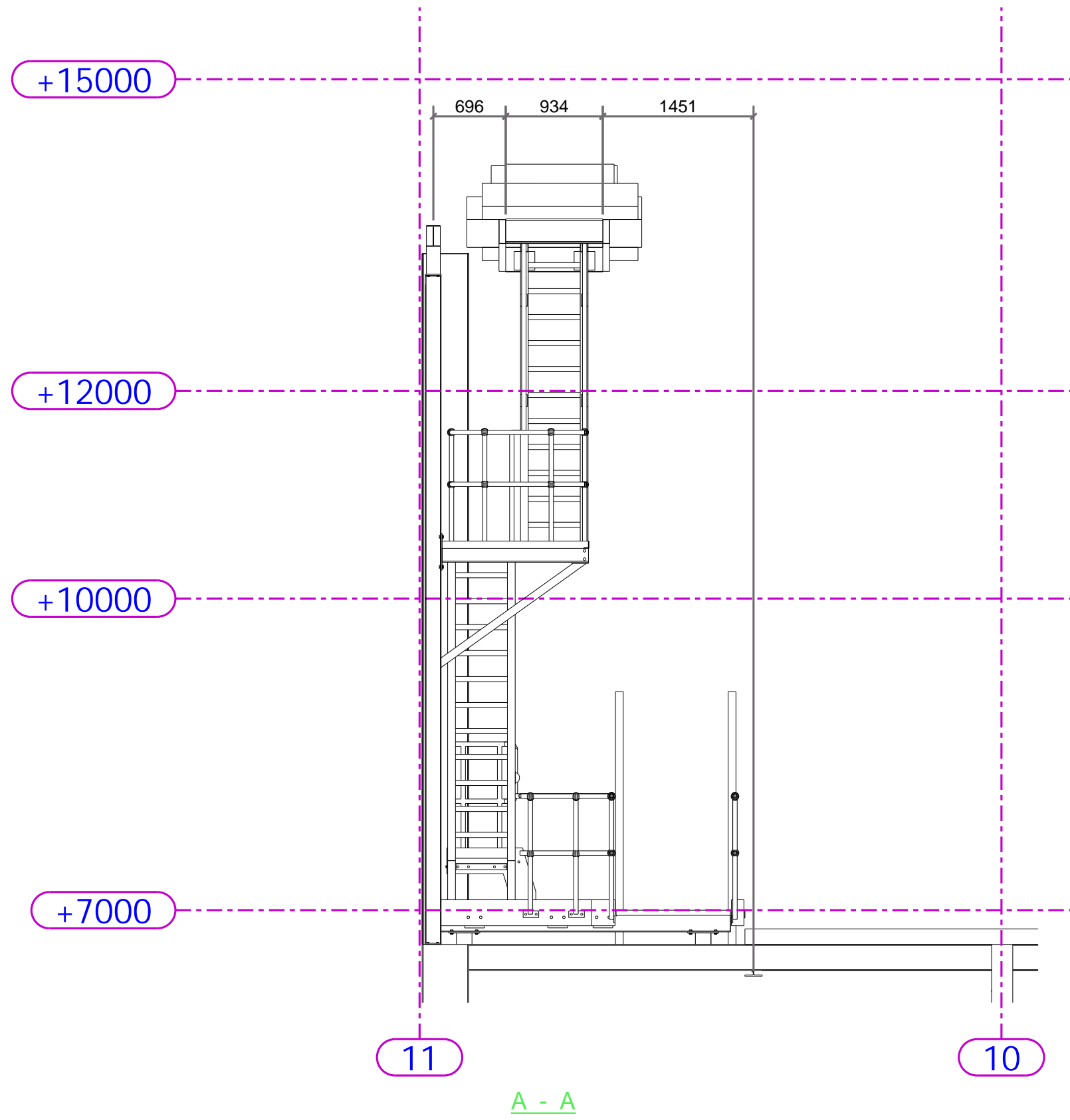
| Drawing No. | Drawing Title | Rev |
|----------------------------|---|-----|
| P23012-MRI-XX-ZZ-DR-X-1020 | Escape Stair | AB |
| P23012-MRI-XX-ZZ-DR-X-1030 | Ships Ladder | AB |
| P23012-MRI-XX-ZZ-DR-X-1040 | Plant Deck Balustrades | AB |
| P23012-MRI-ZZ-ZZ-DR-X-1011 | Plot 3 – Inner Balustrade | AB |
| P23012-MRI-ZZ-ZZ-DR-X-1012 | Plot 3 – Outer Wall Rail | AB |
| P23012-MRI-ZZ-ZZ-DR-X-1013 | Plot 3 – Plan | AB |



Specifications:

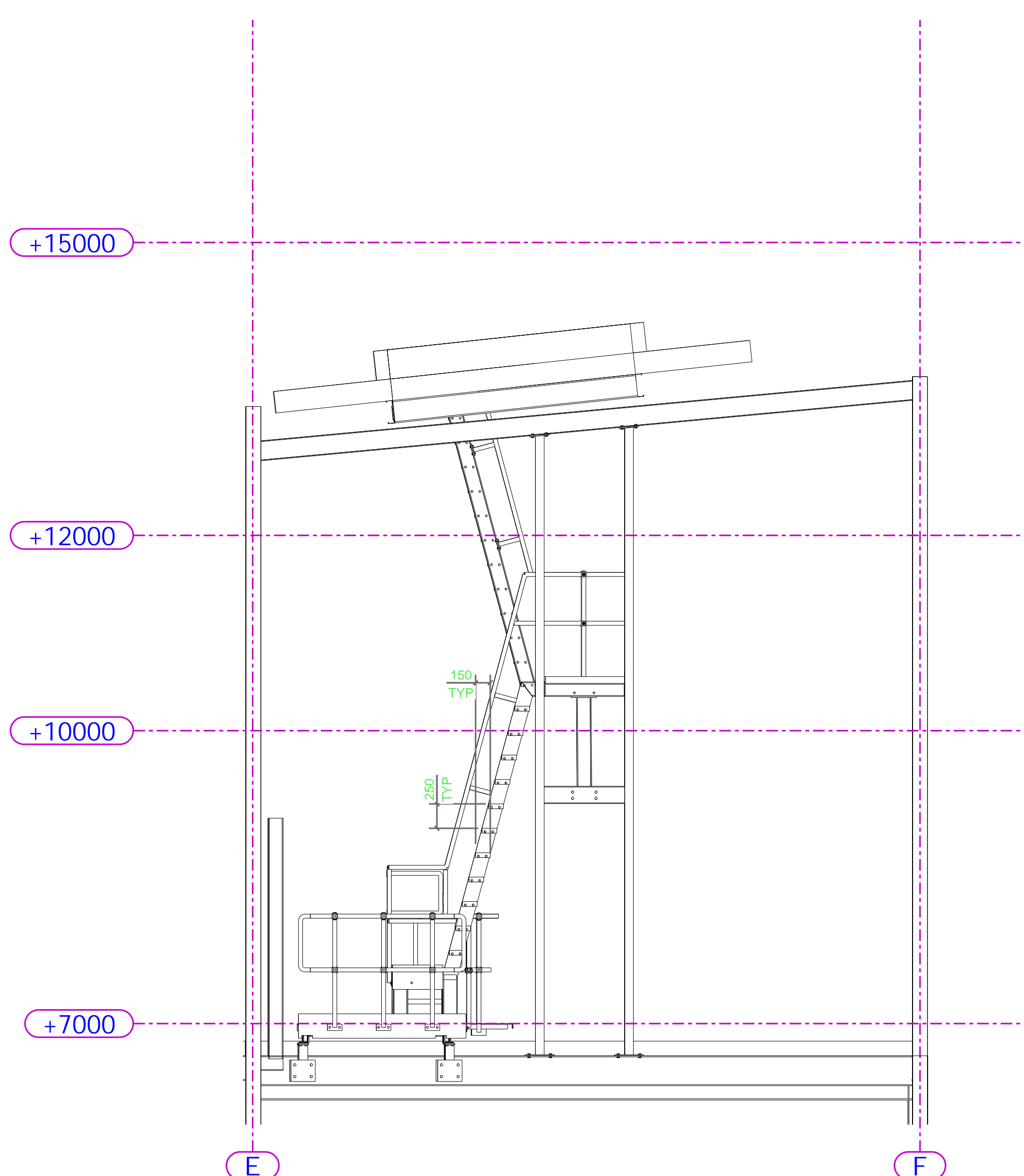
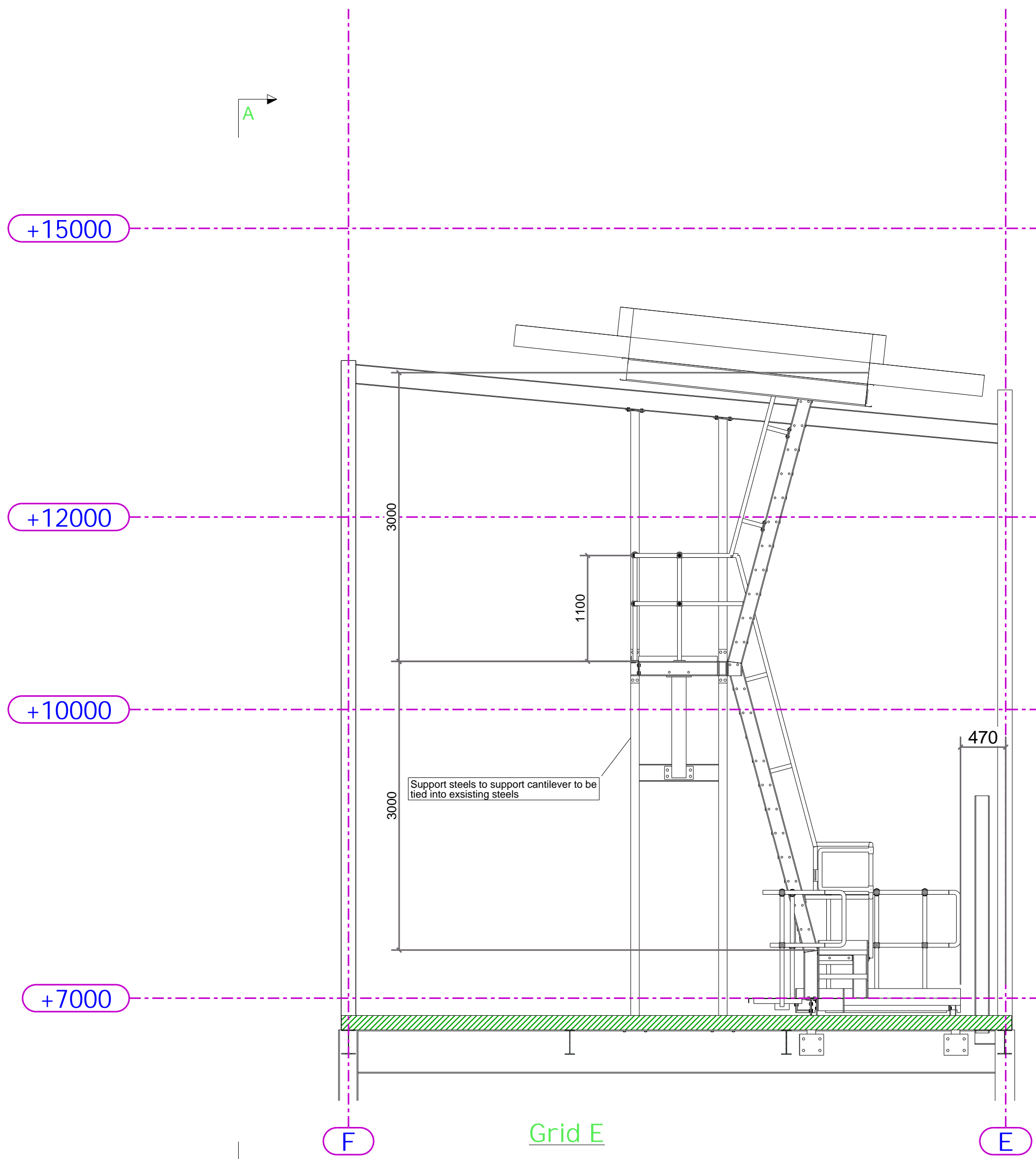
- Handrail - CHS 42.4*3 Ball and Rail system
- Posts - CHS 42.4 Tube Welded to 12mm mild steel fixing plate
- Treads and Landing - 4.5mm o/p- 6mm overall folded mild steel Durbar
- Support legs - PFC 125*65*15

| | | | | | |
|---|-------------|----------------------|------------|---------|------|
| AB | As Built | SD | 20.03.2024 | | |
| REV. MARK | DESCRIPTION | By | Date | By | Date |
| | | CREATED | | CHECKED | |
| CLIENT: Winvic | | | | | |
| PROJECT: Escape stair | | | | | |
| MR INDUSTRIAL SERVICES | | | | | |
| DRAWING TITLE: Site marked - P23012-MRI-XX-ZZ-DR-X-1020 | | | | | |
| CONTRACT: Wingates, Plot 3, Bolton | | | | | |
| DRAWN BY: SD | | ISSUE DATE | | | |
| CONTRACT NO: C1345-102 | | SCALE 1:30 1:40 1:65 | | | |
| DRAWING NO: P23012-MRI-XX-ZZ-DR-X-1020 | | REVISION No. AB | | | |

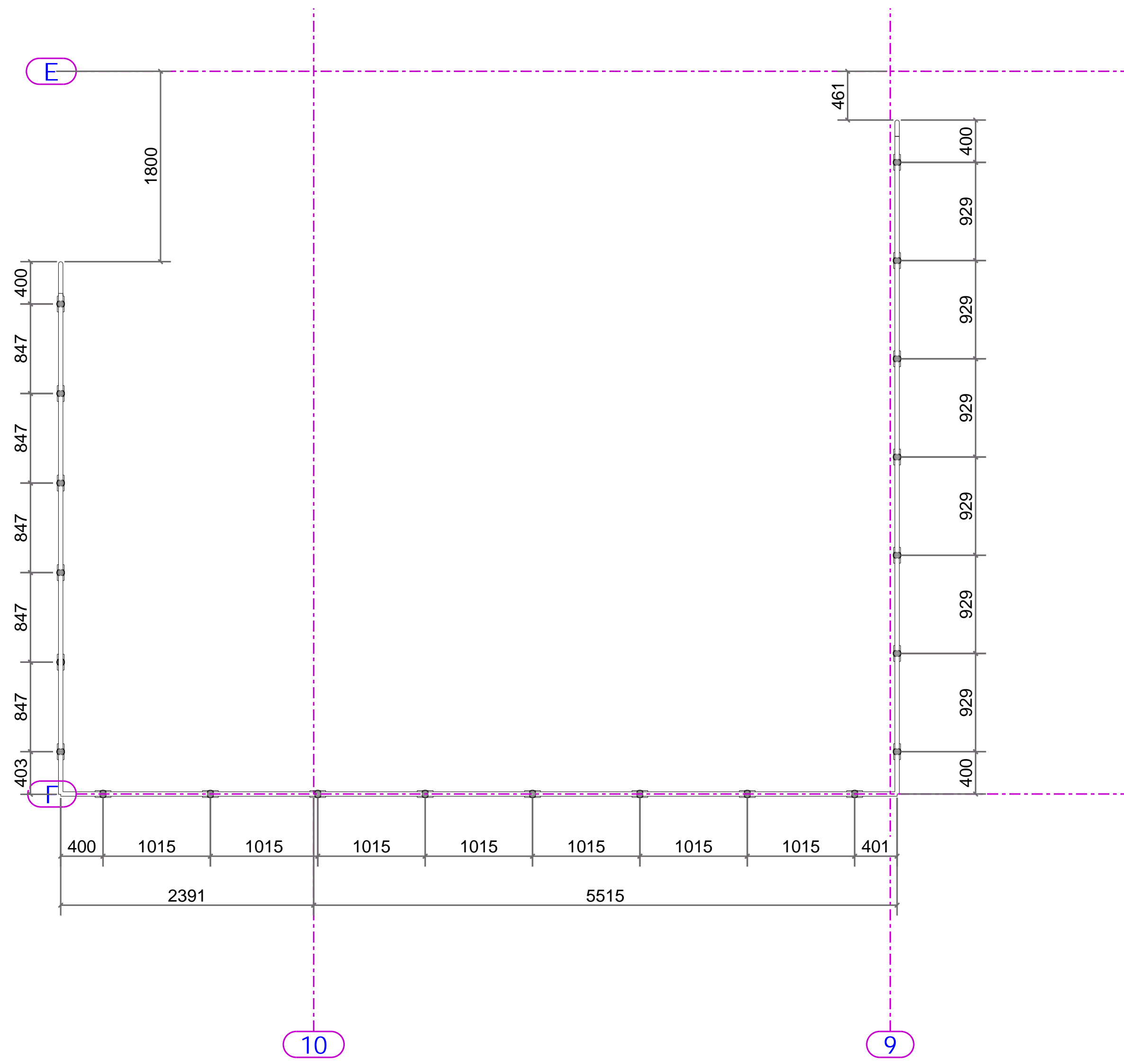


◀ Please note landing is part of escape stair and only used as reference ▶

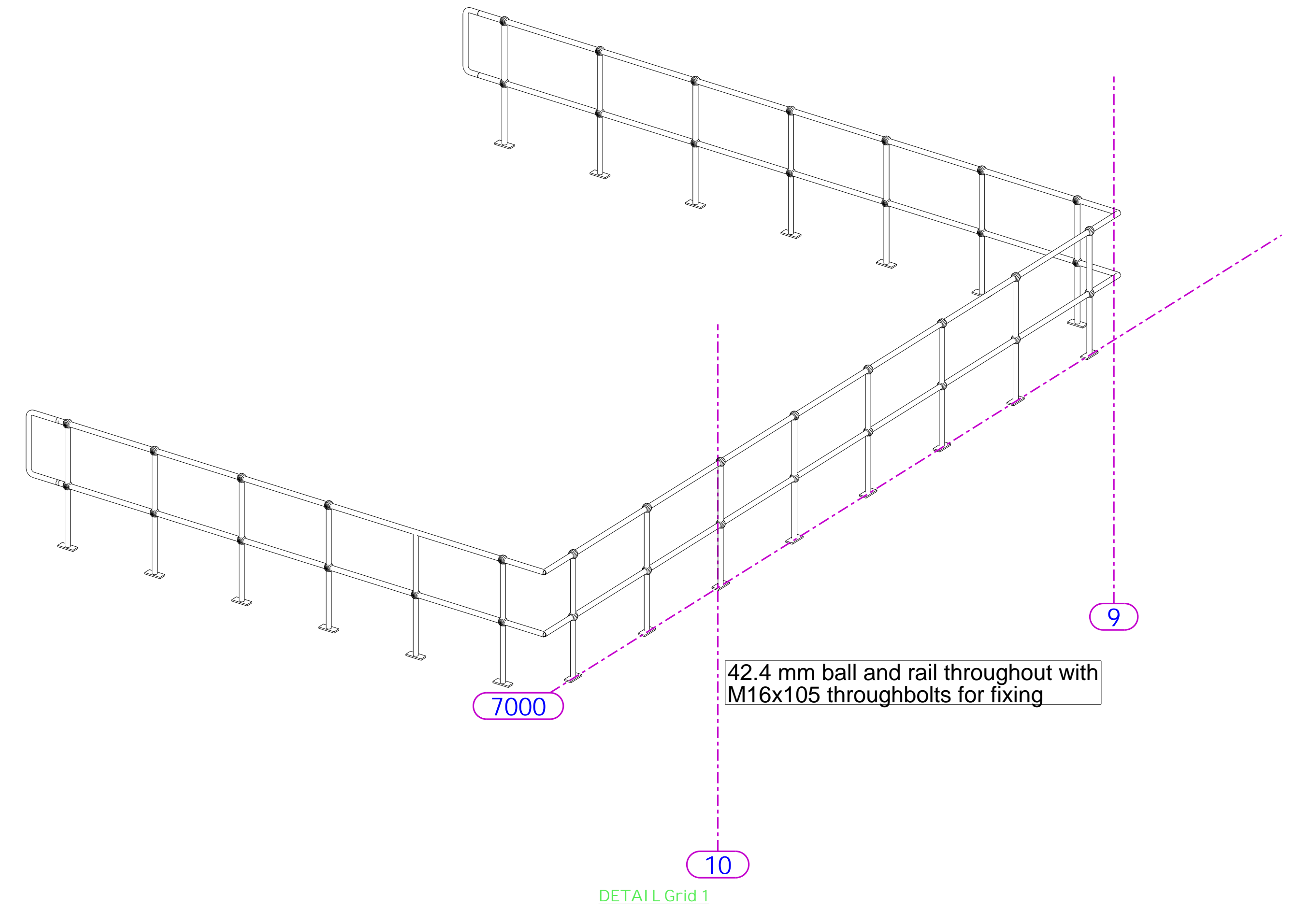
- Specifications:**
- Handrail - CHS 42.4*3 Ball and Rail system
 - Posts - CHS 42.4 Tube Welded to 12mm mild steel fixing plate
 - Treads and Landing - 4.5mm o/p- 6mm overall folded mild steel Durbar
 - Support legs - PFC 125*65*15
 - Support steels - UB152*89*16



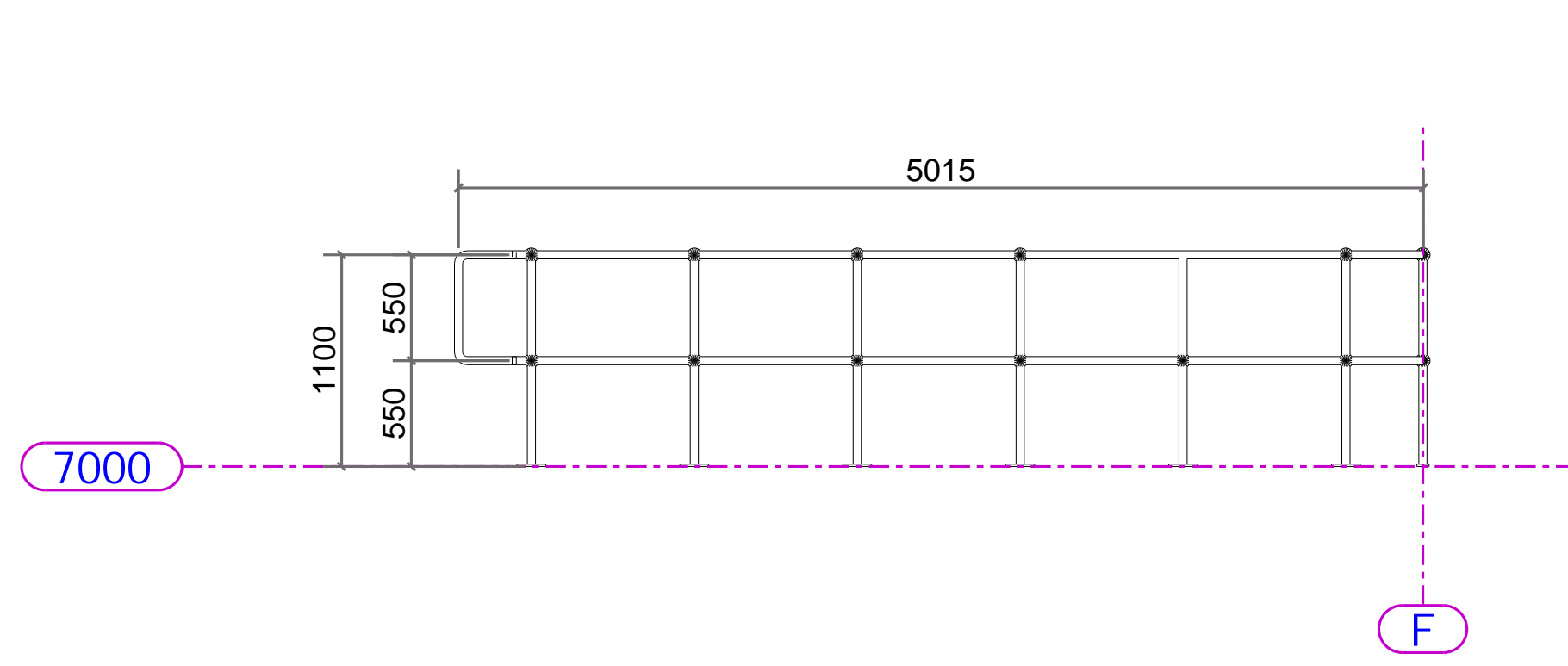
| | | | | | |
|--|-------------|---------|------------|----------------------|------|
| AB1 | As Built | SD | 31.07.2024 | | |
| REV MARK | DESCRIPTION | By | Date | By | Date |
| | | CREATED | | CHECKED | |
| CLIENT: Winvic | | | | | |
| PROJECT: Ships Ladder | | | | | |
| MR INDUSTRIAL SERVICES | | | | | |
| DRAWING TITLE: P23012-MRI-XX-ZZ-DR-X-1030_Ships Ladder Rev.AB1 | | | | | |
| CONTRACT: Wingates, Plot 3, Bolton | | | | | |
| DRAWN BY: SD | | | | | |
| CONTRACT NO: C1345-103 | | | | | |
| DRAWING NO: P23012-MRI-XX-ZZ-DR-X-1030 | | | | | |
| | | | | ISSUE DATE | |
| | | | | SCALE 1:30 1:40 1:50 | |
| | | | | REVISION No. AB1 | |



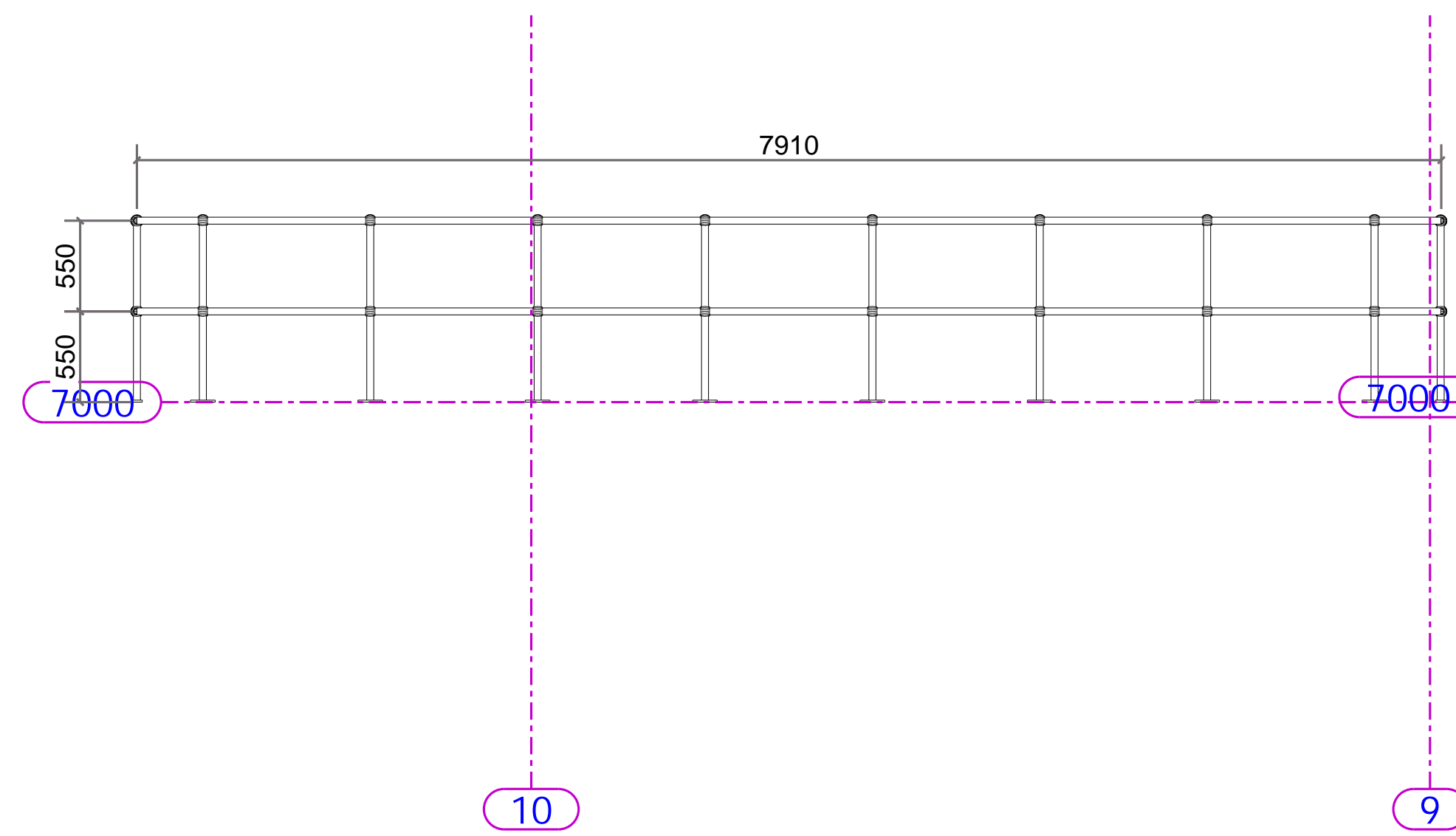
DETAIL 3d



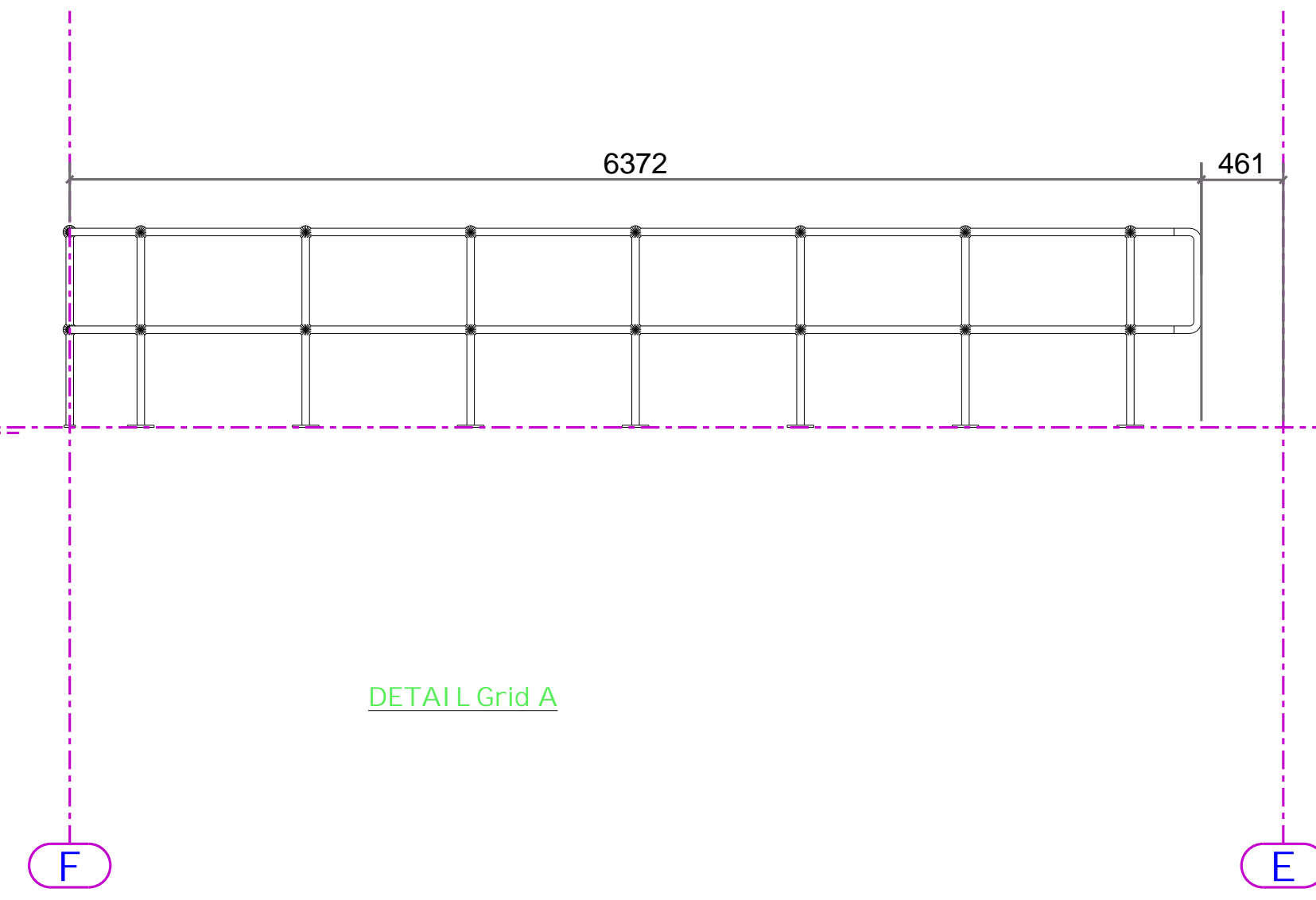
DETAIL Grid 1



DETAIL Grid A

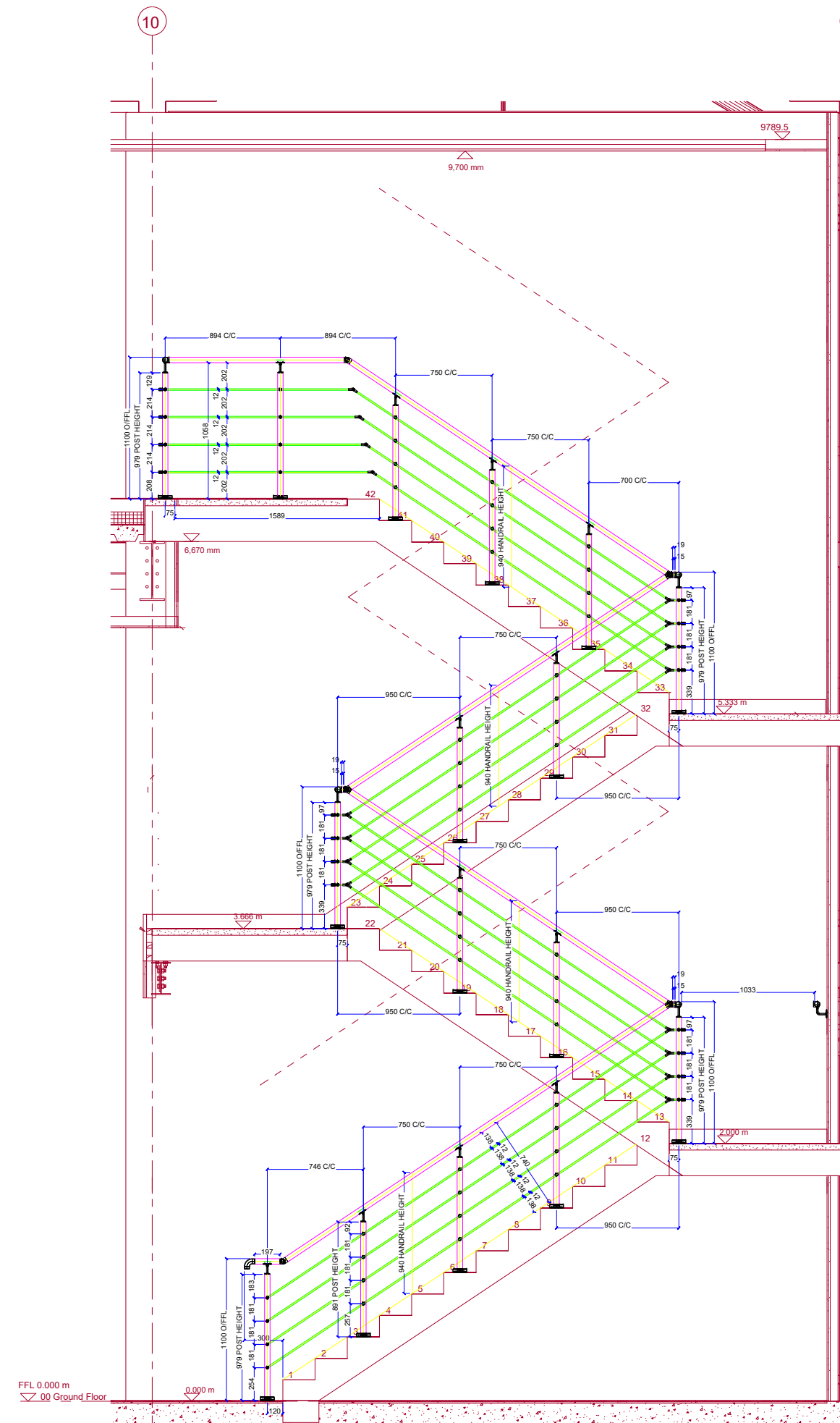
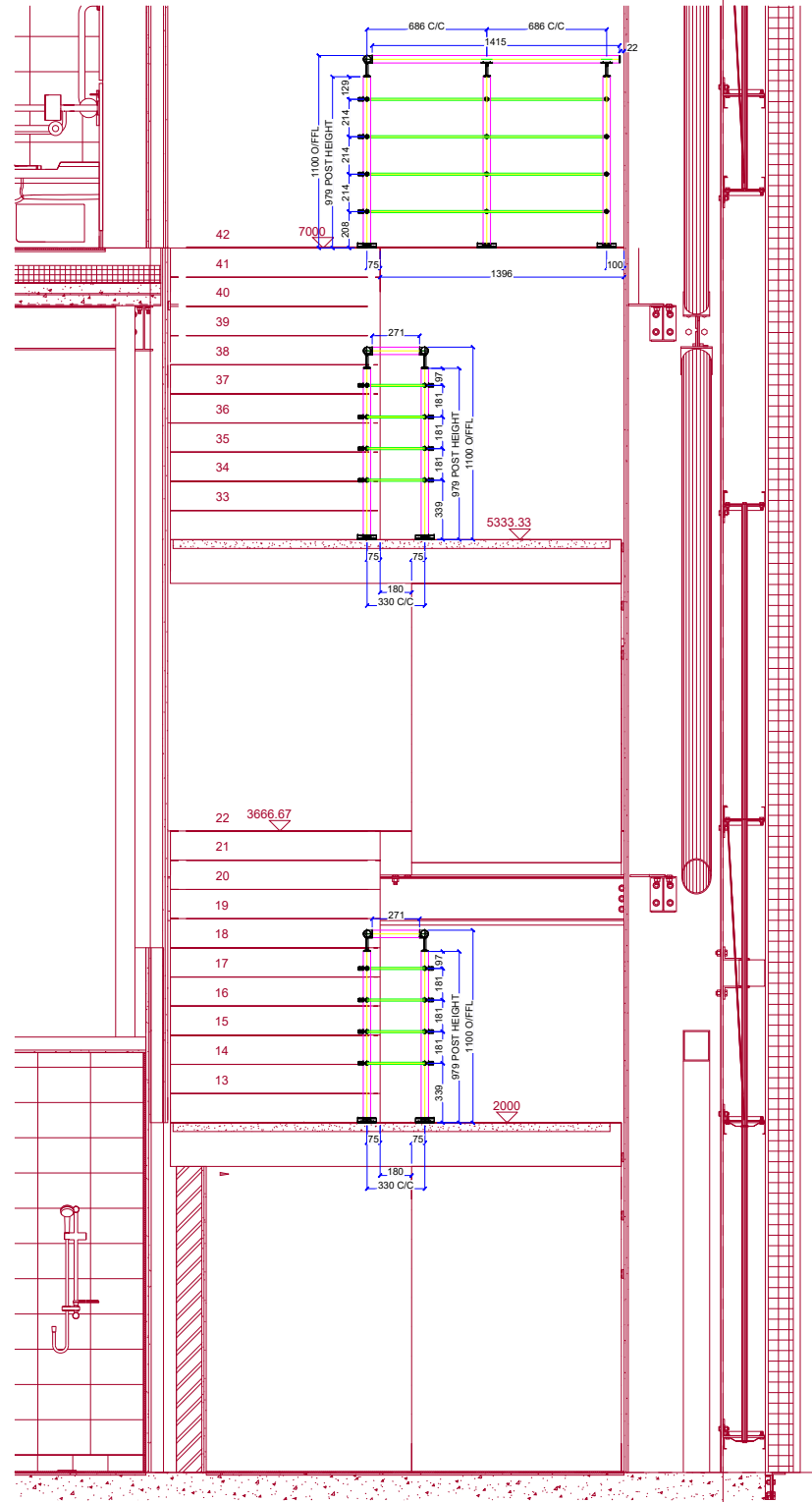
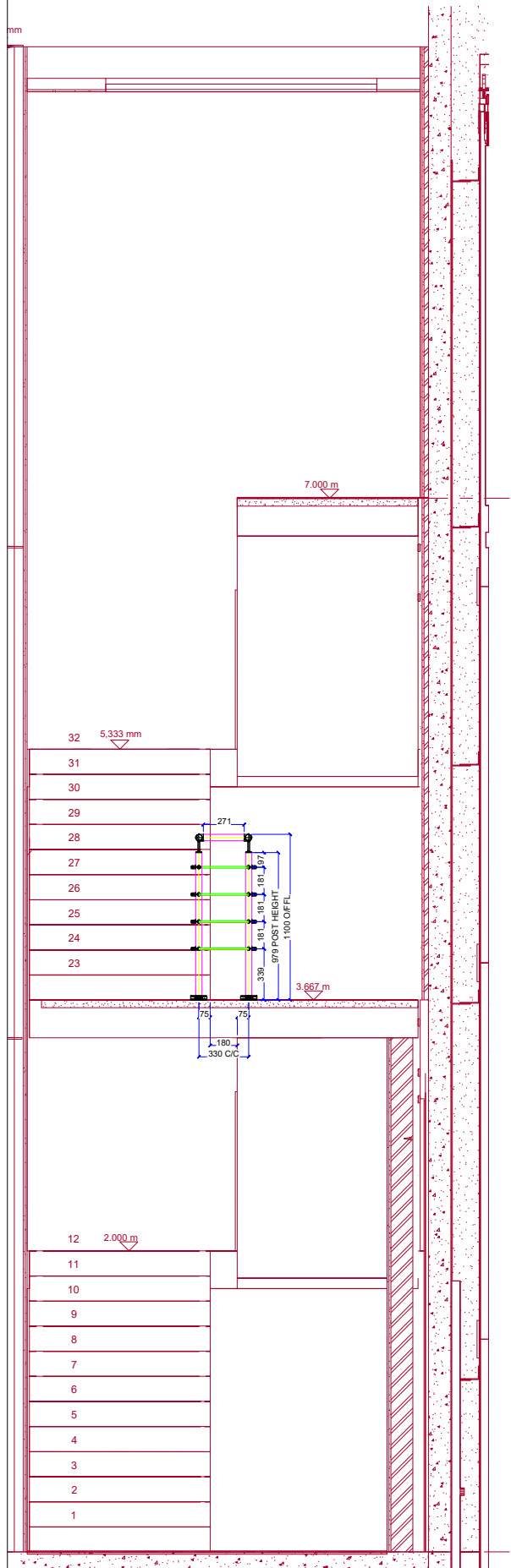


DETAIL Grid 1



DETAIL Grid A

| | | | | | |
|------------------------|-------------|--|------------|-----------------|------|
| AB | As Built | SD | 20.03.2024 | | |
| REV. MARK | DESCRIPTION | By | Date | By | Date |
| | | CREATED | | CHECKED | |
| CLIENT: | | | | | |
| PROJECT: | | | | | |
| Plant Deck Balustrades | | | | | |
| DRAWING TITLE: | | Site marked - P23012-MRI-XX-ZZ-DR-X-1040 | | | |
| CONTRACT: | | Wingates, Plot 3, Bolton | | | |
| DRAWN BY: | | SD | | ISSUE DATE | |
| CONTRACT NO: | | C1345-104 | | SCALE 1:30 1:35 | |
| DRAWING NO: | | P23012-MRI-XX-ZZ-DR-X-1040 | | REVISION No. AB | |



DISCLAIMER
 All dimensions to be verified on site. Do not scale this drawing.
 All discrepancies to be clarified with MR Industrial Services Ltd.

This drawing is the property of MR Industrial Services Ltd. and is issued on the condition it is not reproduced, retained or disclosed to any unauthorized person, either wholly or in part without written consent of MR Industrial Services Ltd.



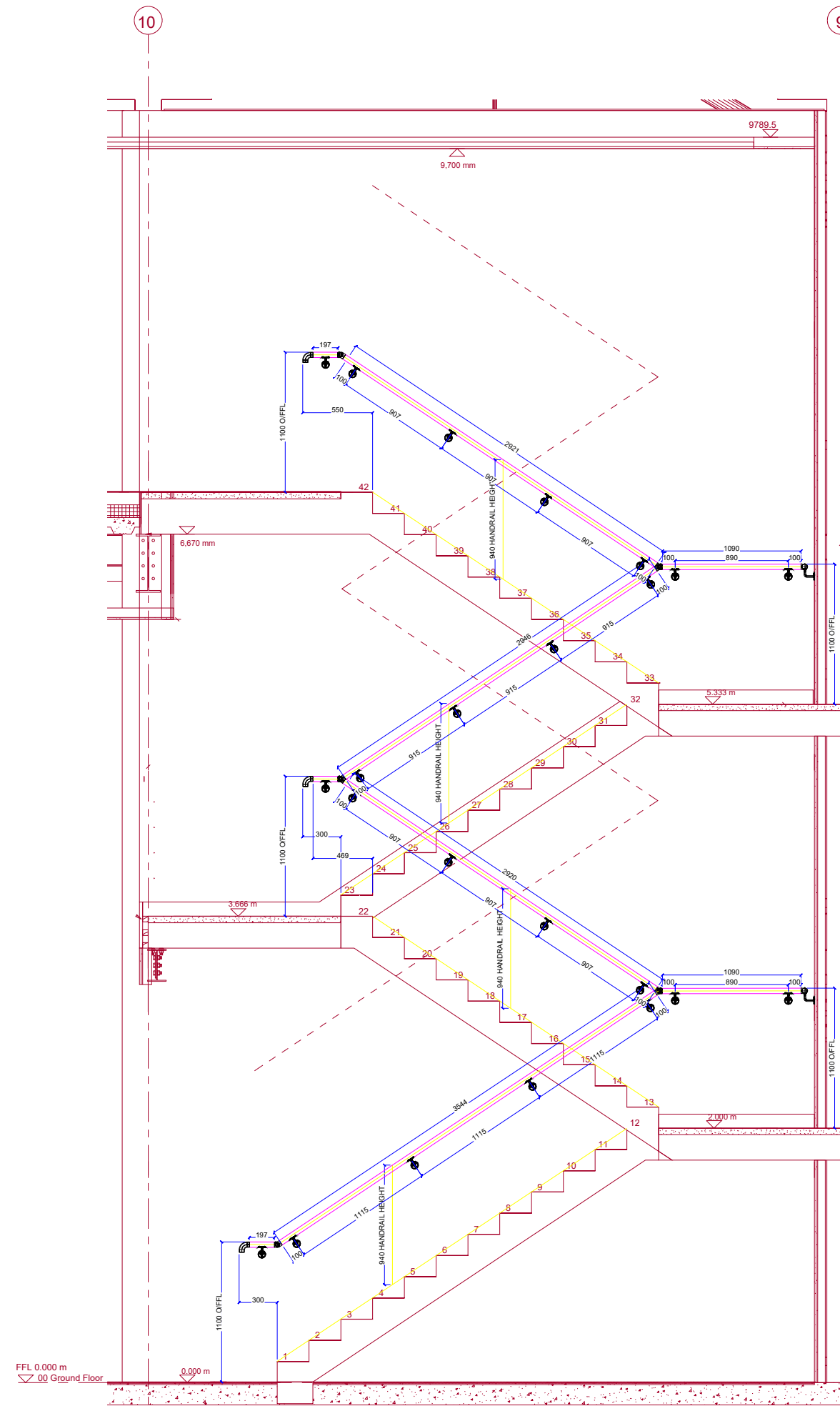
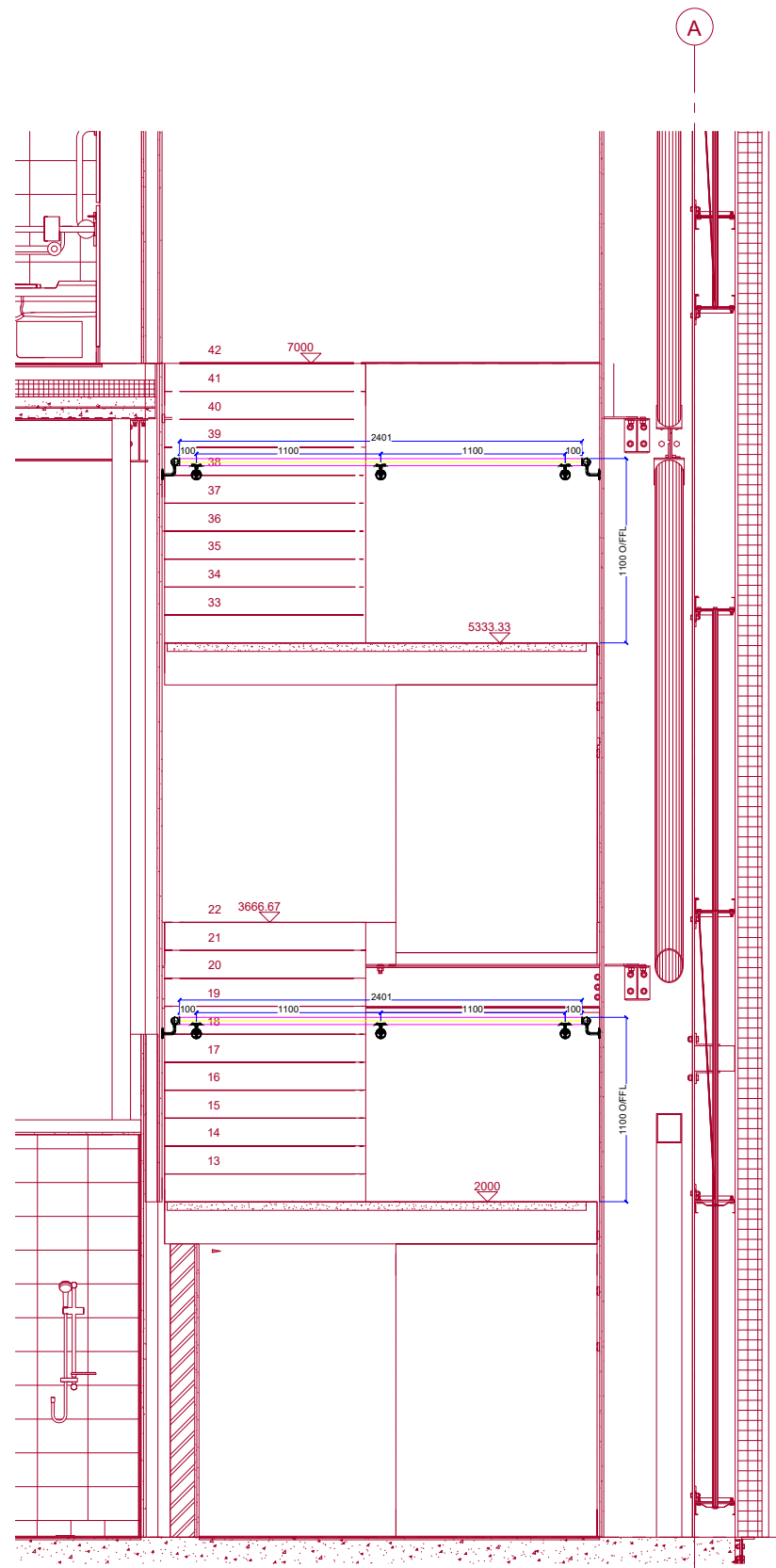
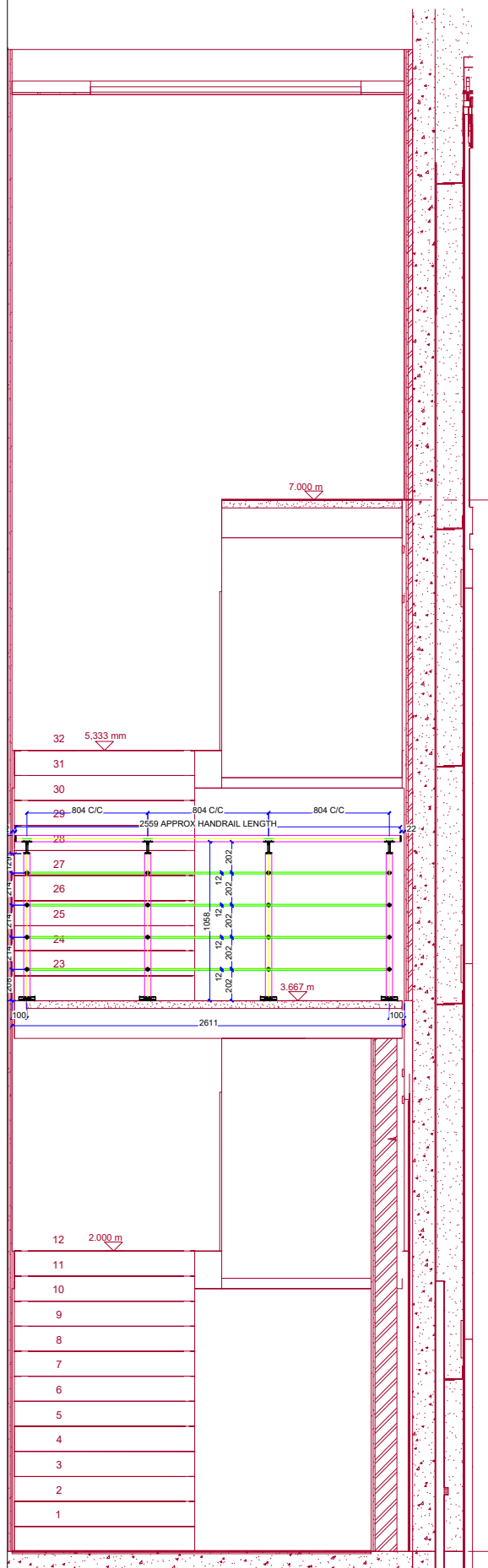
MR Industrial Services Ltd.
 16 Brunell Road, Corby, NN17 4JW
 Tel: 01536 204 510
 Email: info@mrindustrialservices.co.uk

GENERAL NOTES:
 All dimensions in mm
 ALL POSTS TO BE 42.4MM SS 304 SATIN FINISH - 13/12/23

| REVISION | | |
|----------|------------|-----------------------------|
| # | DATE | DESCRIPTION |
| P01 | 07/12/2023 | FIRST ISSUE |
| P02 | 13/12/2023 | REVISED TO SUIT COMMENTS |
| P03 | 02/01/2024 | ADDITIONAL BALUSTRADE ON 1F |
| P04 | 04/01/2024 | REMOVAL OF POSTS |
| C01 | 20/03/2024 | CONSTRUCTION ISSUE |
| AB | 02/04/2024 | AS BUILT |

| | | | |
|--------------------------------|-------------------------|-------------|-----------|
| CLIENT | | PANATTONI | |
| STATUS | | AS BUILT | |
| PROJECT | GREAT BANK ROAD | PROJECT NO. | C1345 |
| DRAWING NO. | P23012-MRI-ZZ-DR-X-1011 | REVISION | AB |
| DRAWING TITLE | | | |
| PLOT 3 - INNER BALUSTRADE - GA | | | |
| DATE | 07/12/23 | SCALE | 1/60 (A3) |
| CHECKED BY | | DRAWING BY | AB |

PLOT 3 - INNER BALUSTRADE - GA



DISCLAIMER
 All dimensions to be verified on site. Do not scale this drawing.
 All discrepancies to be clarified with MR Industrial Services Ltd.

This drawing is the property of MR Industrial Services Ltd. and is issued on the condition it is not reproduced, retained or disclosed to any unauthorized person, either wholly or in part without written consent of MR Industrial Services Ltd.



MR Industrial Services Ltd.
 16 Brunell Road, Corby, NN17 4JW
 Tel: 01536 204 510
 Email: info@mrindustrialservices.co.uk

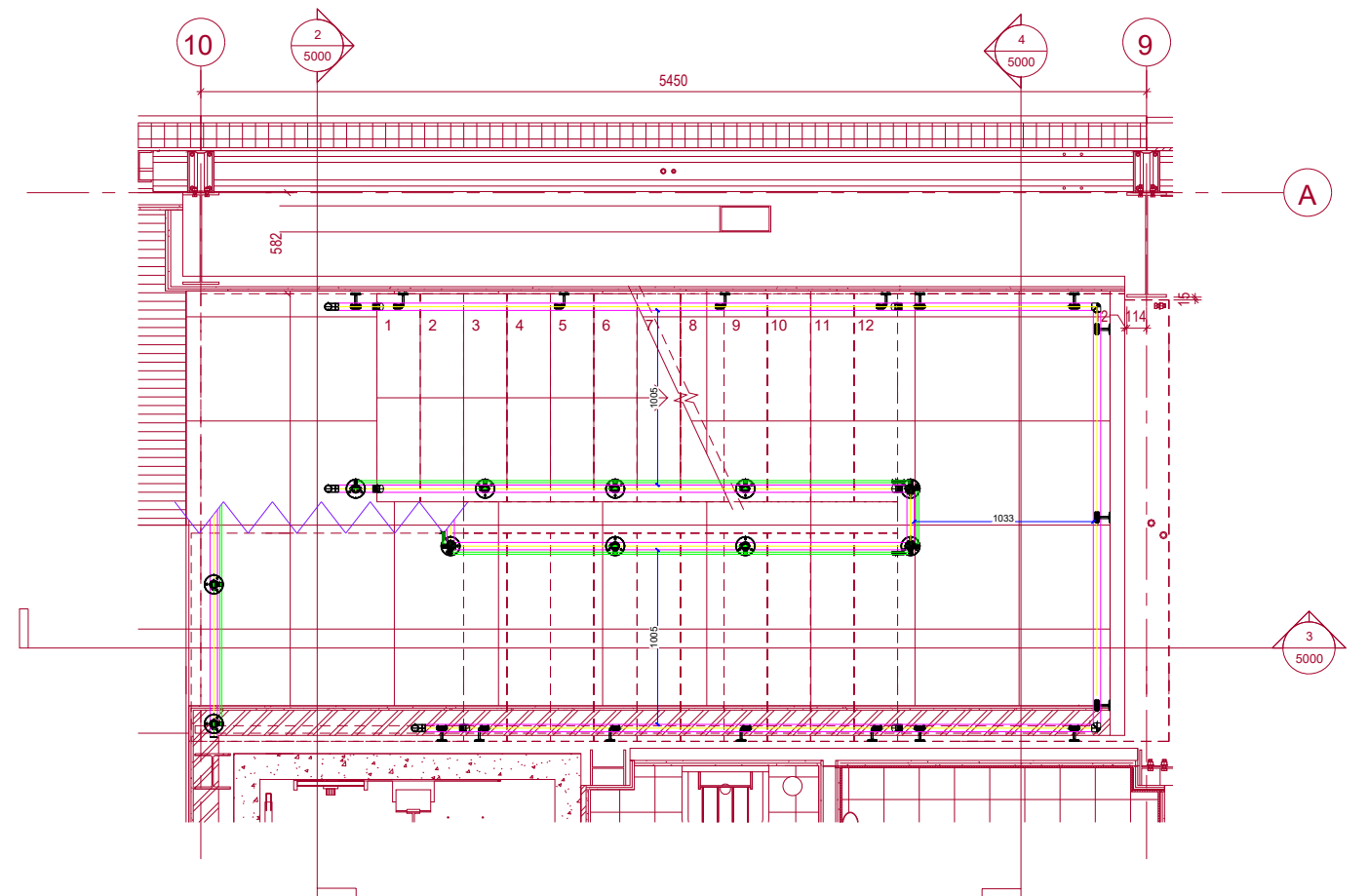
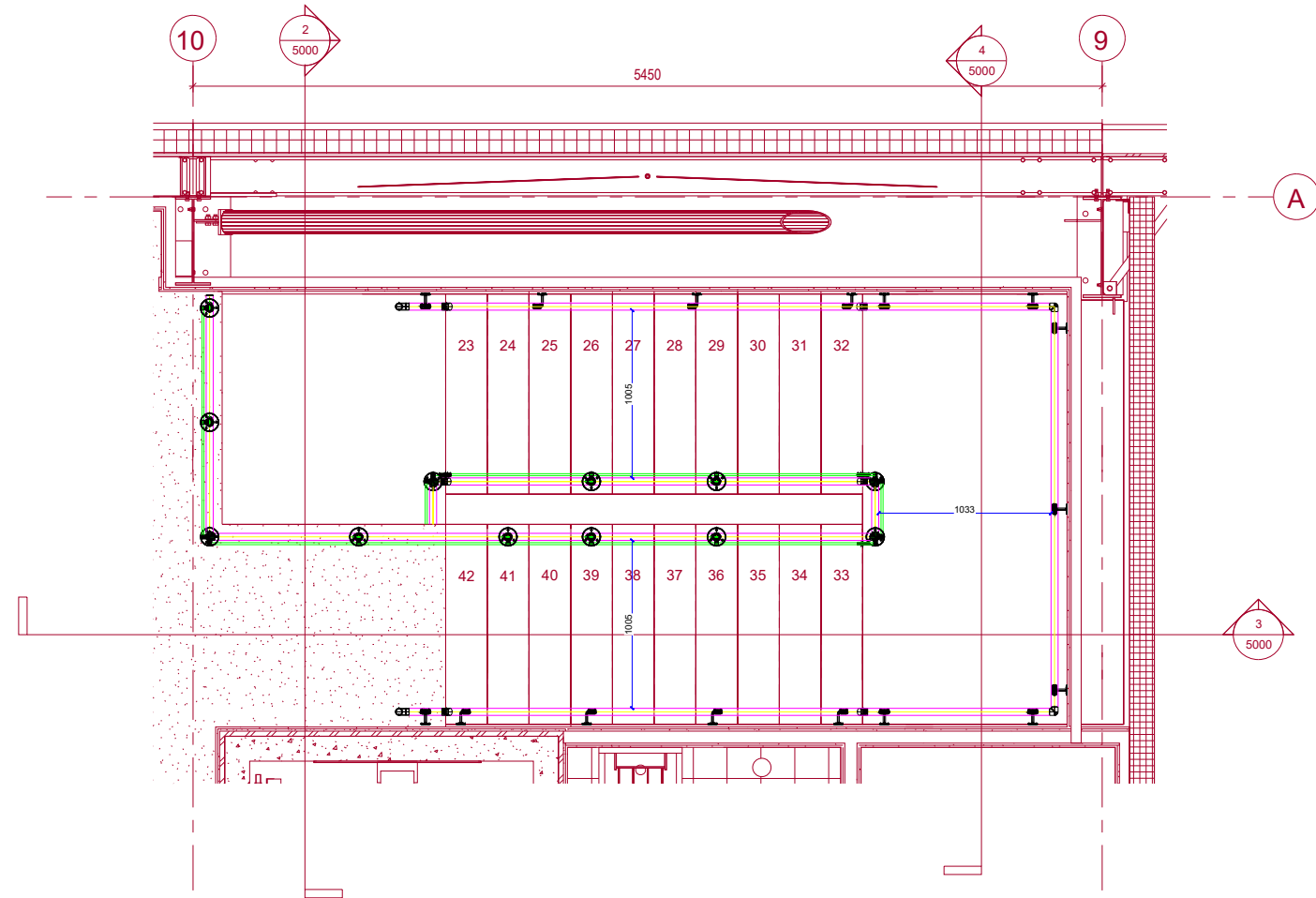
GENERAL NOTES:

All dimensions in mm
 ALL POSTS TO BE 42.4MM SS 304 SATIN FINISH - 13/12/23

| REVISION | | |
|----------|------------|-----------------------------|
| # | DATE | DESCRIPTION |
| P01 | 08/12/2023 | FIRST ISSUE |
| P02 | 13/12/2023 | REVISED TO SUIT COMMENTS |
| P03 | 02/01/2024 | ADDITIONAL BALUSTRADE ON 1F |
| P04 | 04/01/2024 | REMOVAL OF POSTS |
| C01 | 20/03/2024 | CONSTRUCTION ISSUE |
| AB | 02/04/2024 | AS BUILT |

| | | | |
|-------------------------------|----------------------------|-------------|-----------|
| CLIENT | | PANATTONI | |
| STATUS | | AS BUILT | |
| PROJECT | GREAT BANK ROAD | PROJECT NO. | C1345 |
| DRAWING NO. | P23012-MRI-ZZ-ZZ-DR-X-1012 | REVISION | AB |
| DRAWING TITLE | | | |
| PLOT 3 - OUTER WALL RAIL - GA | | | |
| DATE | 08/12/23 | SCALE | 1/60 (A3) |
| CHECKED BY | | DRAWN BY | AB |

PLOT 3 - OUTER WALL RAIL - GA



PLOT 3 - PLAN - GA

DISCLAIMER
 All dimensions to be verified on site. Do not scale this drawing.
 All discrepancies to be clarified with MR Industrial Services Ltd.

This drawing is the property of MR Industrial Services Ltd. and is issued on the condition it is not reproduced, retained or disclosed to any unauthorized person, either wholly or in part without written consent of MR Industrial Services Ltd.



MR Industrial Services Ltd.
 16 Brunell Road, Corby, NN17 4JW
 Tel: 01536 204 510
 Email: info@mrindustrialservices.co.uk

GENERAL NOTES:

All dimensions in mm
 ALL POSTS TO BE 42.4MM SS 304 SATIN FINISH - 13/12/23

REVISION

| # | DATE | DESCRIPTION |
|-----|------------|-----------------------------|
| P01 | 08/12/2023 | FIRST ISSUE |
| P02 | 13/12/2023 | REVISED TO SUIT COMMENTS |
| P03 | 02/01/2024 | ADDITIONAL BALUSTRADE ON 1F |
| P04 | 04/01/2024 | REMOVAL OF POSTS |
| C01 | 20/03/2024 | CONSTRUCTION ISSUE |
| AB | 02/04/2024 | AS BUILT |

CLIENT

PANATTONI

STATUS
AS BUILT

PROJECT
GREAT BANK ROAD PROJECT NO. **C1345**

DRAWING NO. **P23012-MRI-ZZ-DR-X-1013** REVISION **AB**

DRAWING TITLE
PLOT 3 - PLAN - GA

DATE **08/12/23** SCALE **1/60 (A3)**

CHECKED BY DRAWING BY
AB