
Entrance Gates, Fencing & Barriers (A&A Lamb)

Contents

A&A Lamb

Aby Blake
aby@lambfencing.co.uk
Walton New Road
Upper Bruntingthorpe
Nr. Lutterworth
Leicestershire
LE17 5RD
01162 478396



winvic

winvic.co.uk

Contents

Scope of Works

Certificates/Warranties/Guarantees

Cleaning and Maintenance Regimes

Data Sheets



winvic

winvic.co.uk

Scope of Works



winvic

winvic.co.uk

A. & A. LAMB LIMITED

FENCING CONTRACTORS

Walton New Road ° Upper Bruntingthorpe ° Nr Lutterworth ° Leics. LE17 5RD

Telephone: 0116 247 8396 ° Fax No: 0116 247 8876

Zoe Stanton
Winvic Construction Ltd
Brampton House
19 Tenter Road
Moulton Park
Northampton
NN3 6PZ

28th February 2024

Dear Sirs

RE: Winvic Construction Ltd – P23-012 Wingates, Plot 3, Bolton

Please find below the information you require.

Our company has supplied various types of fencing on the above contract. We give below details of the materials and suppliers we have used:

- 1) **2.4m high v-mex mesh fencing and gates, ppc finish Green RAL 6005.**

Supplier

IAE Fencing Ltd
Mossfield Road
Adderley Green
Stoke on Trent
Staffordshire
ST3 5BW
Tel: 01782 339320
Fax: 01782 339321

- 2) **9m span manual rising arm barrier.**

Supplier

Gateway Automation Ltd
Unit 8
Wainer Close
Lincoln
LN6 3RY
Tel: 01522 682255

A. & A. LAMB LIMITED

FENCING CONTRACTORS

Walton New Road ° Upper Bruntingthorpe ° Nr Lutterworth ° Leics. LE17 5RD

Telephone: 0116 247 8396 ° Fax No: 0116 247 8876

- 3) **Armco barrier, 127x76 RSJ posts bolted down at 3.2m centres, galvanised finish.**

Supplier

Tata Steel
Llanwern Works
Newport
South Wales
NP19 4QZ
Tel: 01633752113

- 4) **Cycle shelter to suit 10no cycles.**

Supplier

IAE Fencing Ltd
Mossfield Road
Adderley Green
Stoke on Trent
Staffordshire
ST3 5BW
Tel: 01782 339320
Fax: 01782 339321

- 5) **Flexcore 6 bollards.**

Supplier

McCue International - UK
Mount House
Bond Avenue
Bletchley
Bucks
MK1 1SF
Tel: 01908 365511

A. & A. LAMB LIMITED

FENCING CONTRACTORS

Walton New Road ° Upper Bruntingthorpe ° Nr Lutterworth ° Leics. LE17 5RD

Telephone: 0116 247 8396 ° Fax No: 0116 247 8876

6) **Combined retainer, timber acoustic fencing with steel posts on concrete panels.**

Supplier

Charles Ransford & Son Ltd

Station Street

Fence

Bishops Castle

Shropshire

SY9 5AQ

Tel: 01588 638331

Fax: 01588 630491

Steel Posts

IAE Fencing Ltd

Mossfield Road

Adderley Green

Stoke on Trent

Staffordshire

ST3 5BW

Tel: 01782 339320

Fax: 01782 339321

Concrete Panels

JP Concrete Products Ltd

1 North Street

Okehampton

Devon

EX20 1AR

Tel: 01158220282

7) **1.8m high timber hit and miss fence and gates to bin store.**

Supplier

Harlow Bros Ltd

Long Whatton

Fence

Loughborough

Leicestershire

LE12 5DE

Tel: 01509 842561

Fax: 01509 843577

Gates

G & B Woodworking

Unit 1, Meadow Springs Farm

Saddington Road,

Shearsby

Leicester

LE17 6PX

Tel: 01162478779

A. & A. LAMB LIMITED

FENCING CONTRACTORS

Walton New Road ° Upper Bruntingthorpe ° Nr Lutterworth ° Leics. LE17 5RD
Telephone: 0116 247 8396 ° Fax No: 0116 247 8876

All fencing should be periodically checked and any damaged components repaired or replaced. If cleaning is required then this should be carried out using warm soapy water and a cloth.

All materials come with one years defects warranty from date of handover.

Certificates/Warranties/Guarantees

N/A



winvic

winvic.co.uk

Cleaning and Maintenance Regimes



winvic

winvic.co.uk

A. & A. LAMB LIMITED

FENCING CONTRACTORS

Walton New Road ° Upper Bruntingthorpe ° Nr Lutterworth ° Leics. LE17 5RD

Telephone: 0116 247 8396 ° Fax No: 0116 247 8876

1.8.1 Planned Maintenance Strategy

| Item | Periodically | Weekly | Monthly | 3 Months | 6 Months | 9 Months | Annually | 5 Yearly | File – Section (for further information) |
|--|--------------|--------|---------|----------|----------|----------|----------|----------|---|
| Fencing , Barrier, Bollards, Shelters | ✓ | | | | | | | | Winvic to fill in Volume 2 Binder 3 Section 2.11 |
| The Building Manager or other delegated person needs to be aware of the Control of Substances Hazardous to Health – COSHH and also the CDM Regulations 2015 and the CDM Amendments 2000. | | | | | | | | | |

1.8.2 Planned Cleaning Strategy

| Item | Periodically | Weekly | Monthly | 3 Months | 6 Months | 9 Months | Annually | 5 Yearly | File – Section (for further information) |
|--|--------------|--------|---------|----------|----------|----------|----------|----------|---|
| Fencing , Barrier, Bollards, Shelters | ✓ | | | | | | | | Winvic to fill in Volume 2 Binder 3 Section 2.11 |
| The Building Manager or other delegated person needs to be aware of the Control of Substances Hazardous to Health – COSHH and also the CDM Regulations 2015 and the CDM Amendments 2000. | | | | | | | | | |

Yours faithfully

Aby Richards

A. & A. Lamb Limited

Cleaning and Maintenance Regimes

This maintenance schedule for **P23012 Wingates Plot 3** to be followed from PC date **01/07/2024** year on year to ensure all plant and equipment is kept within warranty.

Please keep a log of these inspections so that records can be checked should an issue arise.

Code; ✓ Blue – Recommended ✓ Red – To Maintain Warranty

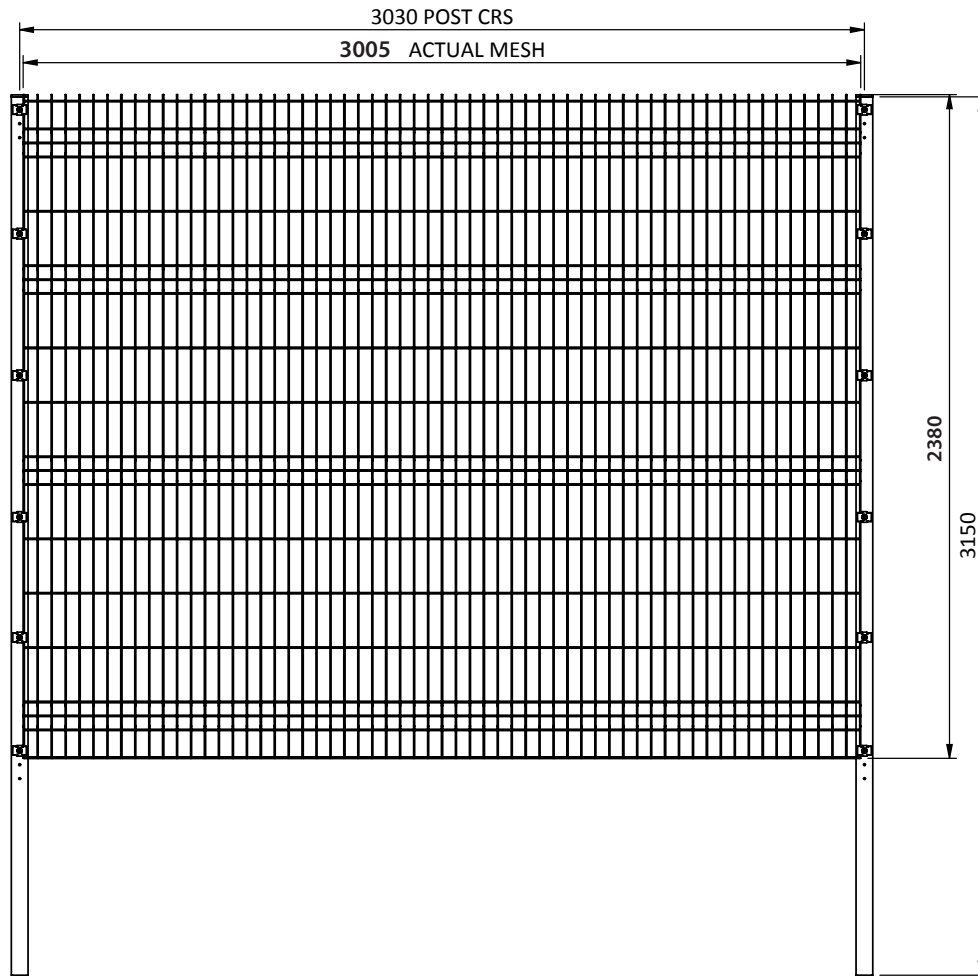
| Item | Daily | Weekly | Monthly | 3 Months | 6 Months | 9 Months | Annually | 5 Yearly | Certificates | Regime |
|----------------------------|-------|--------|---------|----------|----------|----------|----------|----------|--------------|--|
| Vmex Mesh Fencing & Gates | | | | | | | ✓ | | N/A | Annually - Best practise to visually check for cracks, damage and overall maintenance Clean using lukewarm water when necessary. |
| Armco Barrier | | | | | | | ✓ | | N/A | Annually - Best practise to visually check for cracks, damage and overall maintenance Clean using lukewarm water when necessary. |
| Timber Fence & Gates | | | | | | | ✓ | | N/A | Annually - Best practise to visually check for cracks, damage and overall maintenance Clean using lukewarm water when necessary. |
| Cycle Shelters | | | | | | | ✓ | | N/A | Annually - Best practise to visually check for cracks, damage and overall maintenance Clean using lukewarm water when necessary. |
| Steel Bollards | | | | | | | ✓ | | N/A | Annually - Best practise to visually check for cracks, damage and overall maintenance Clean using lukewarm water when necessary. |
| Manual rising arm barriers | | | | | | | ✓ | | N/A | Annually - Best practise to visually check for cracks, damage and overall maintenance Clean using lukewarm water when necessary. |
| Acoustic Fencing | | | | | | | ✓ | | N/A | Annually - Best practise to visually check for cracks, damage and overall maintenance Clean using lukewarm water when necessary. |

Data Sheets



winvic

winvic.co.uk



Vmex® V3 Specification

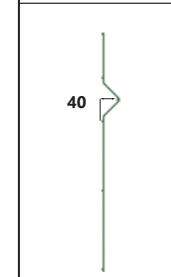
PANEL

| | |
|---------------|---|
| Heights | 2400mm |
| Wire Diameter | 4mm verticals & 5mm horizontals (nominal) |
| Aperture Size | 195 x 50mm |
| Panel Width | 3005mm |

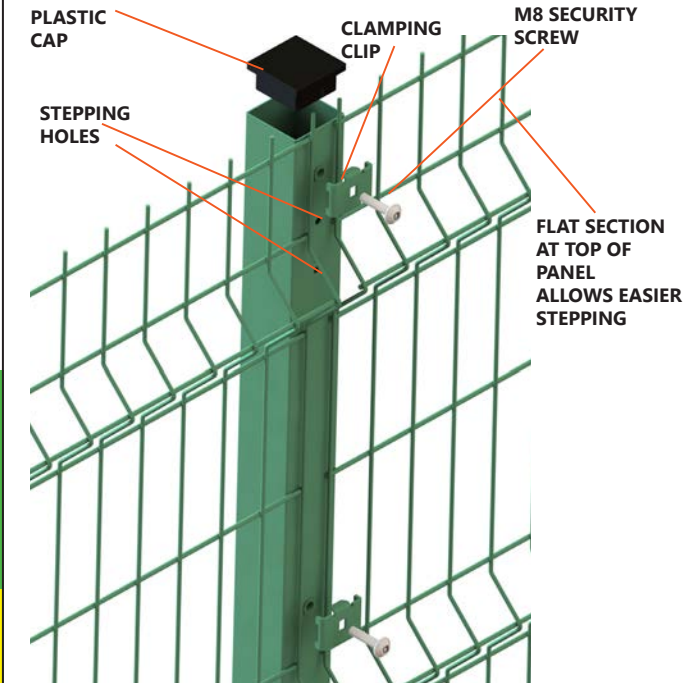
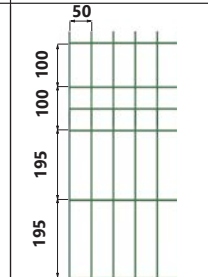
POSTS

| | |
|--------------|-------------|
| Post Size | 60 x 60 SHS |
| Post Centres | 3030mm |

Pressing View



Top Section View



Features:

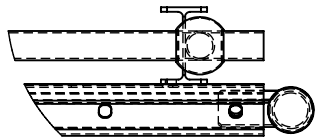
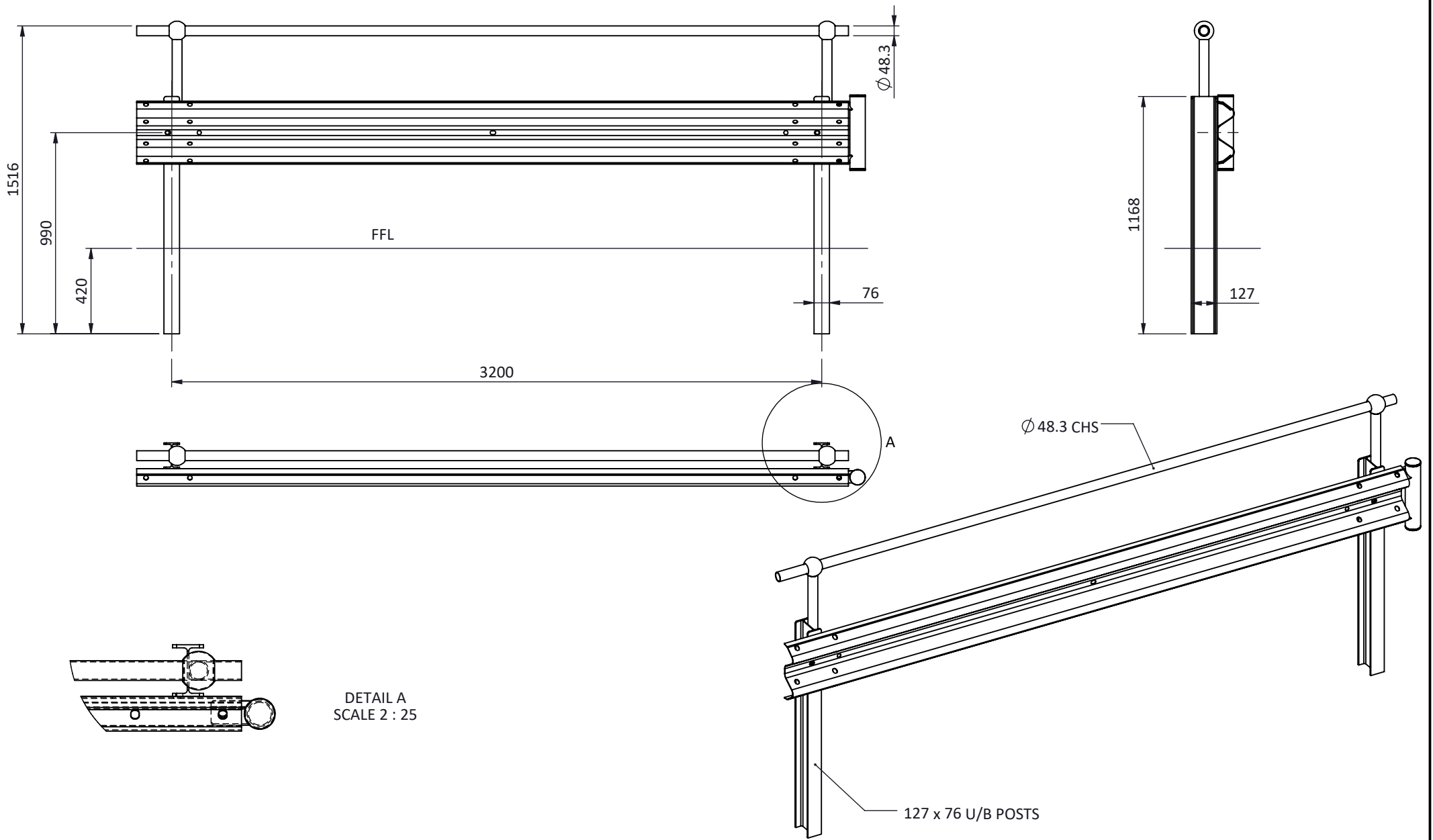
- ▶ Compliant to BS 1722 Pt. 14
- ▶ Available from stock
- ▶ Base-plated post option from stock
- ▶ M8 Security fixings
- ▶ Top flat section of panel allows easier stepping of mesh
- ▶ Standard colours GREEN RAL 6005 + BLACK RAL 9005 available from stock
- ▶ Other colours available to order

Suitable for:

- ▶ Schools, Colleges & Universities
- ▶ Commercial Premises
- ▶ Industrial Units
- ▶ Solar Farms

TEL: 01782 339320
FAX: 01782 339323
fencing@iae.co.uk
www.iae.co.uk





DETAIL A
SCALE 2 : 25

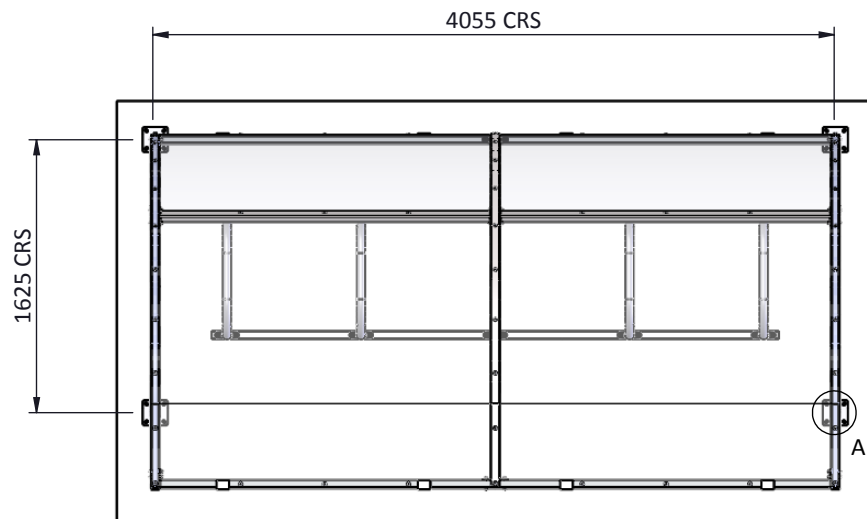
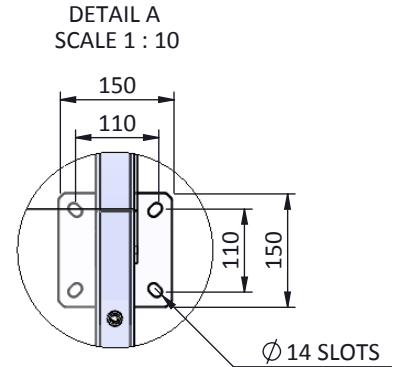
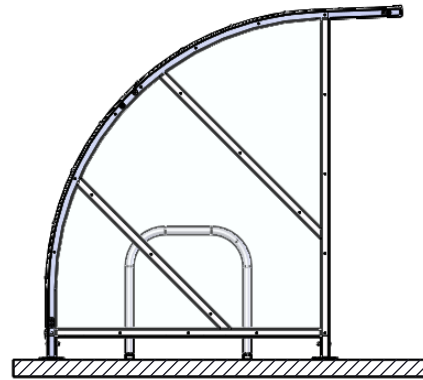
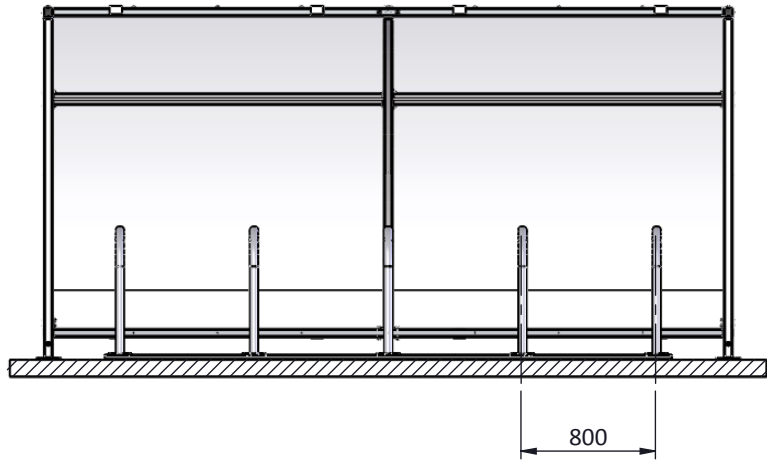
A. & A. LAMB LIMITED

FENCING CONTRACTORS

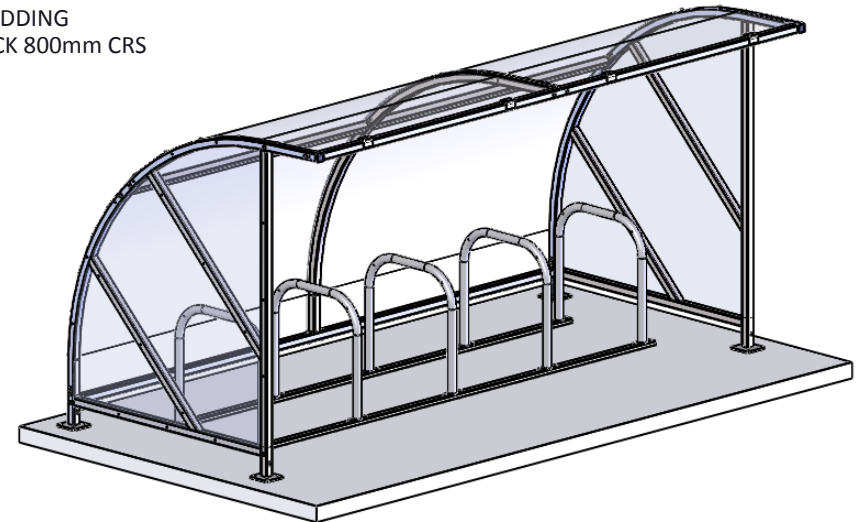
WALTON NEW ROAD, UPPER BRUNTINGTHORPE,
NR. LUTTERWORTH, LEICS. LE17 5RD

TELEPHONE: (0116) 247 8396 Fax: (0116) 247 8876

| | | | | | | | |
|--------|-----------|----------------------------------|-------|-------|------|------------|--|
| CLIENT | TITLE | SINGLE DIG IN ARMCO WITH ARMRAIL | | SCALE | NTS | A4 | |
| | ORDER No. | . | DRAWN | PED | DATE | 26/09/2023 | |
| | DRG No. | 016961-23A | REV. | . | | | |



SPECIFICATION
 50 X 50 SHS FRAME
 HEIGHT ADJUSTABLE FEET
 4mm UV PETG CLADDING
 5-HOOP CYCLE RACK 800mm CRS



A. & A. LAMB LIMITED

FENCING CONTRACTORS

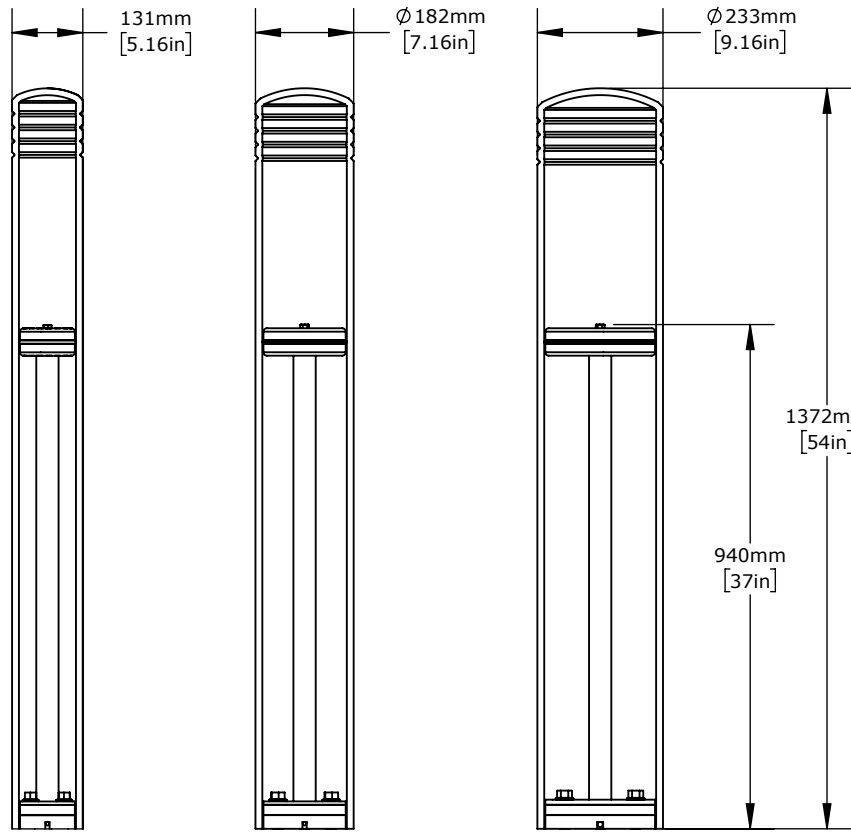
WALTON NEW ROAD, UPPER BRUNTINGTHORPE,
 NR. LUTTERWORTH, LEICS. LE17 5RD

TELEPHONE: (0116) 247 8396 Fax: (0116) 247 8876

TITLE
 10 CAPACITY CYCLE SHELTER

CLIENT

| | | | |
|-----------|-----------|------------|---|
| SCALE | NTS | A4 | |
| ORDER No. | DRAWN | DATE | |
| . | PED | 22/01/2014 | |
| DRG No. | 017289-02 | REV. | . |



FlexCore 4

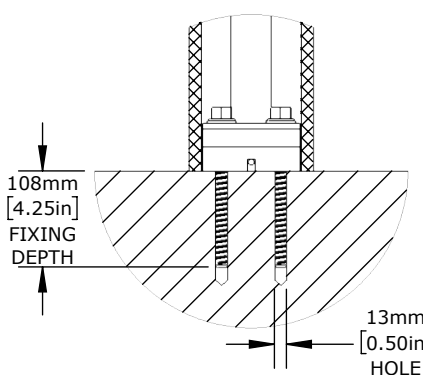
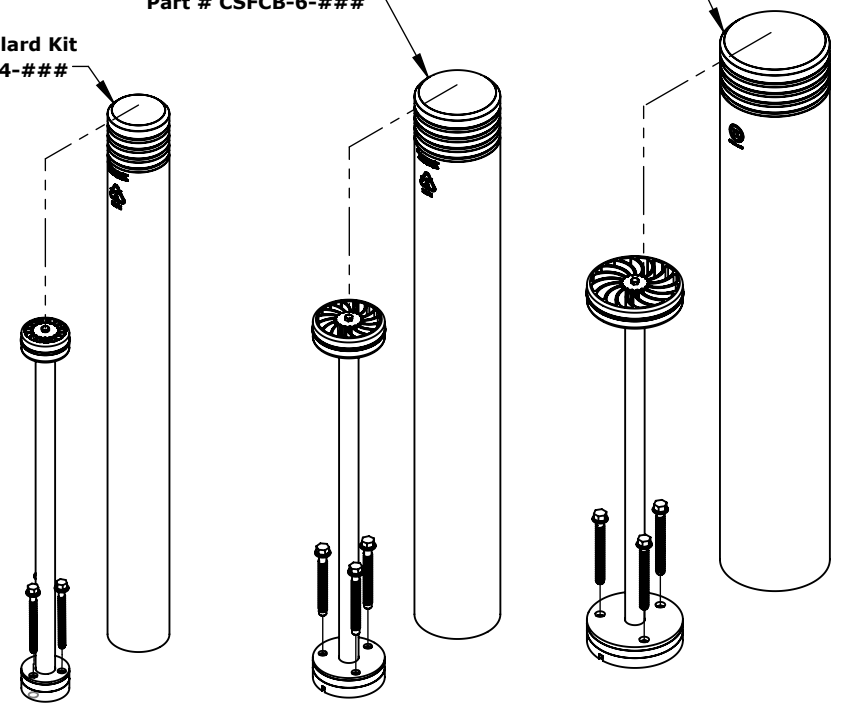
FlexCore 6

FlexCore 8

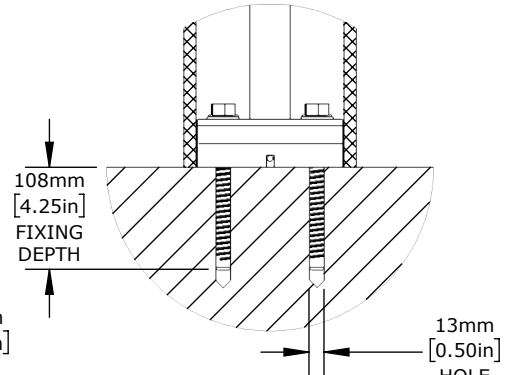
**FlexCore 4 Bollard Kit
Part # CSFCB-4-###**

**FlexCore 6 Bollard Kit
Part # CSFCB-6-###**

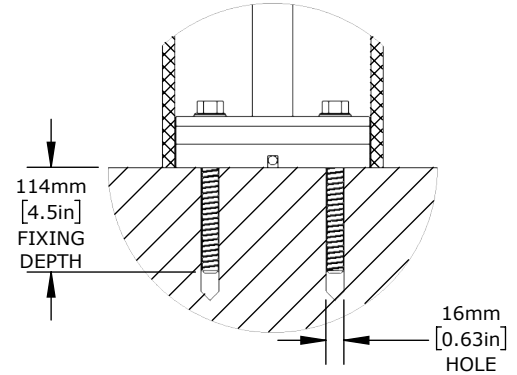
**FlexCore 8 Bollard Kit
Part # CSFCB-8-###**



FlexCore 4 Fixing Detail



FlexCore 6 Fixing Detail



FlexCore 8 Fixing Detail

PROPRIETARY-CONFIDENTIAL: This document contains information proprietary to McCue Corporation. This information is not to be used in any way, disclosed to others or reproduced, in whole or in part, except as expressly authorized in writing by McCue Corporation. Any reproduction of this document, in whole or in part, must include this notice.

| | |
|--|--|
| FlexCore Bollard Customer Drawing | |
|  | |
| Peabody, MA 01960, USA +1 (800) 800 8503 customer@mc cue.com | |
| Milton Keynes, United Kingdom +44 (0)1908 365 511 uksales@mc cue.com | |
| Xiamen, Fujian, China +86-592-2200790 | |
| mccue.com    | |

GA1500 Manual Barrier



SPECIFICATION

MAXIMUM SPAN:

Standard Version: 7.0M, Heavy Duty Version: 9.0m

BOOM DIAMETER:

Standard Version: 76mm, Heavy Duty Version: 100mm

HEIGHT:

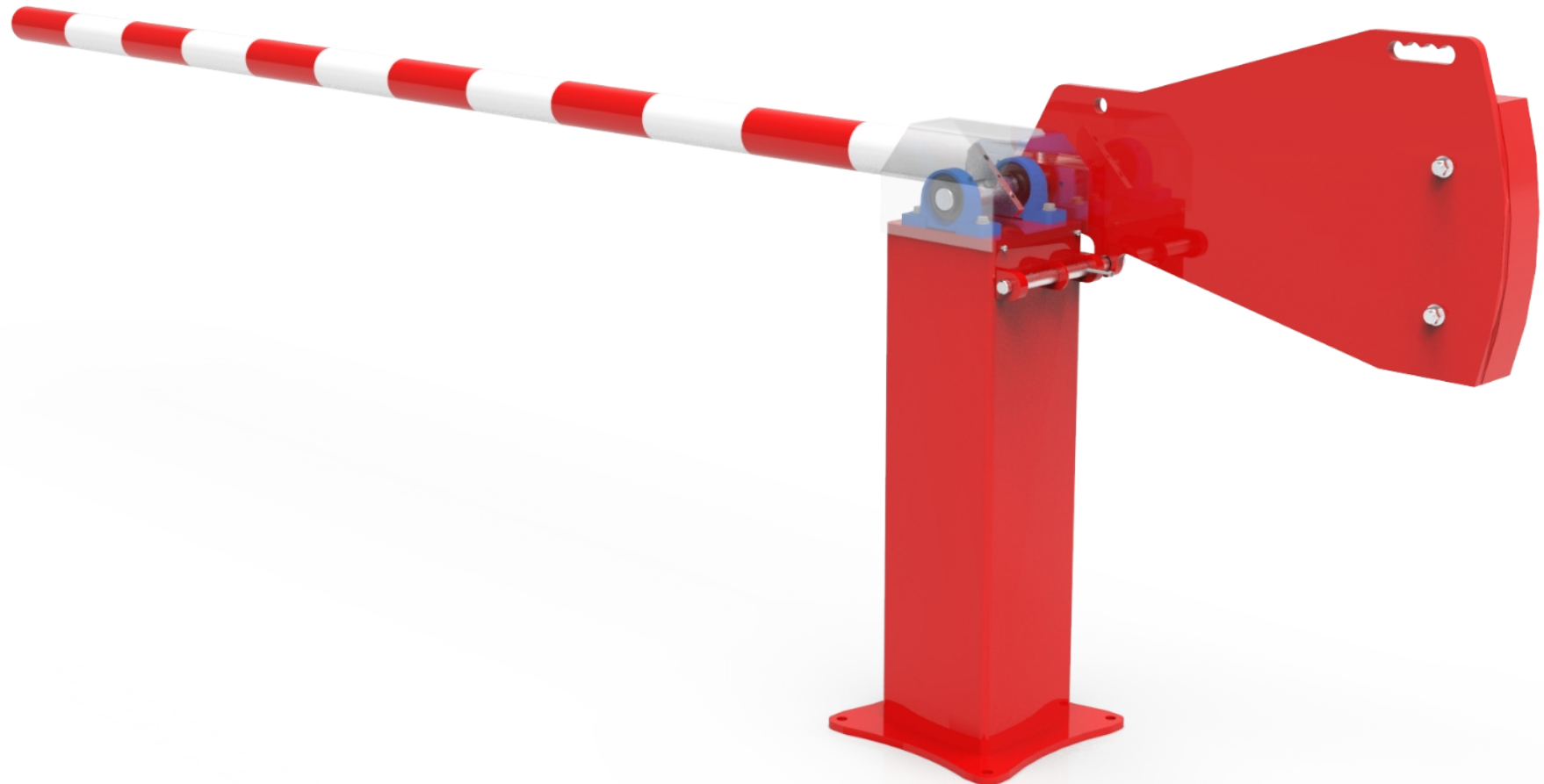
1m from base plate to centre of boom. Total barrier height: 1150mm

DIMENSIONS:

Stanchion: 250mm square box section, 400 x 400mm Base Plate

FINISH:

Polyester Powder Coated in red and white as standard



TIP REST

An adjustable bolt down boom tip rest is supplied at no additional cost, whilst a folding “pogo” type tip rest is optionally available.



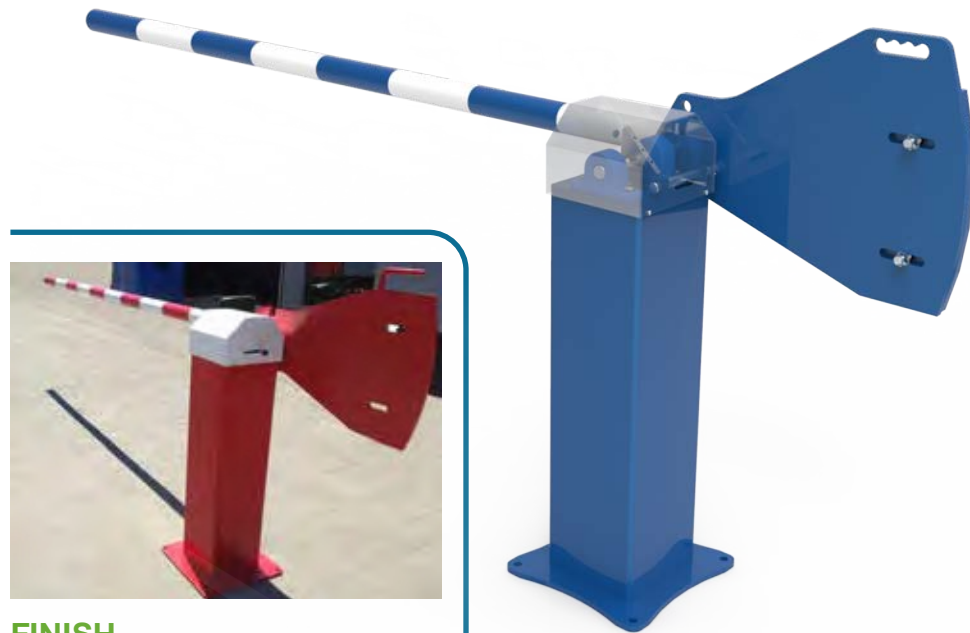
OPTIONAL ITEMS

A lower skirt can be fitted to the barrier at additional cost, and high visibility STOP or NO ENTRY signs may be specified to the boom.



LOCKING

A slide latch is fitted to allow the barrier to be latched in the closed or raised position. A facility to fit a padlock in either position is also provided (padlock not supplied).



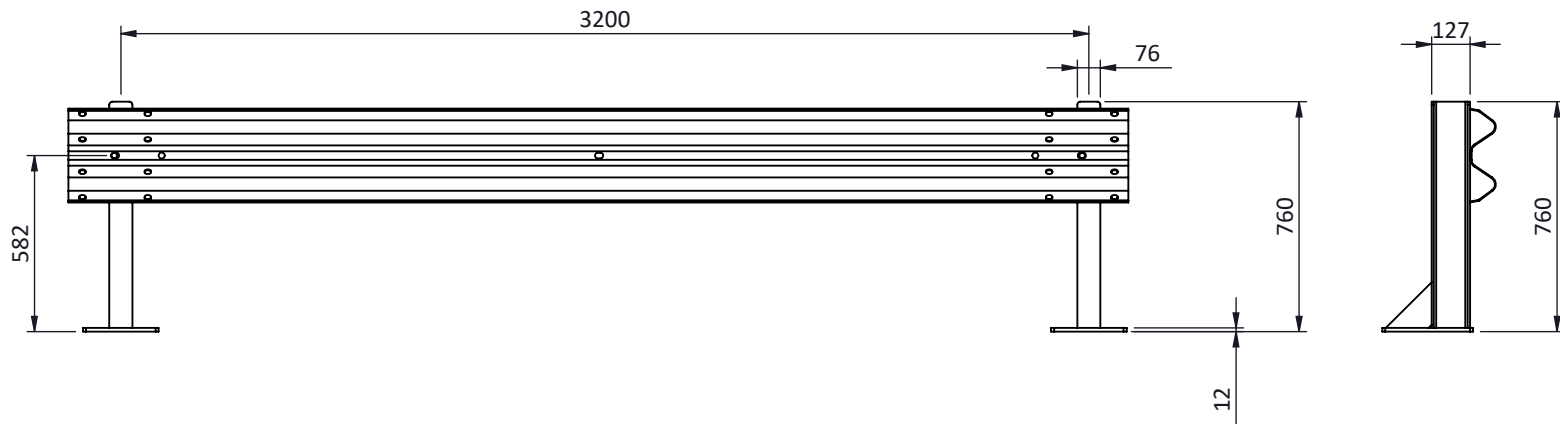
FINISH

Barriers are powder coated in red and white or black and yellow as standard, however, other standard RAL colours may be specified at no additional cost. Booms are vinyl striped in red and white with a limited choice of other vinyl colours.

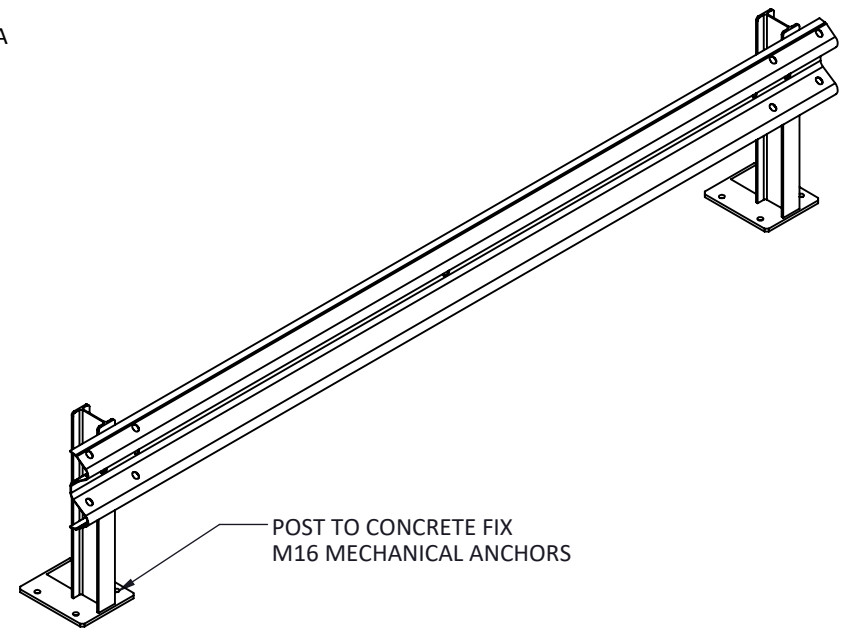
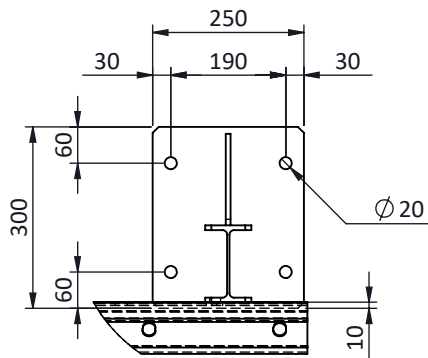
BARRIER DESIGN

The stanchion has a clean contemporary appearance with an enclosed bearing for maximum longevity. Counterweights balance the boom and minimise the effort needed to operate the barrier.





DETAIL A
SCALE 2 : 25



FINISH:- HOT DIP GALVANISED
BS EN ISO 1461

A. & A. LAMB LIMITED

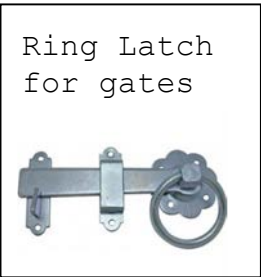
FENCING CONTRACTORS
WALTON NEW ROAD, UPPER BRUNTINGHORPE,
NR. LUTTERWORTH, LEICS. LE17 5RD
TELEPHONE: (0116) 247 8396 Fax: (0116) 247 8876

TITLE
ARMCO BARRIER

PROJECT

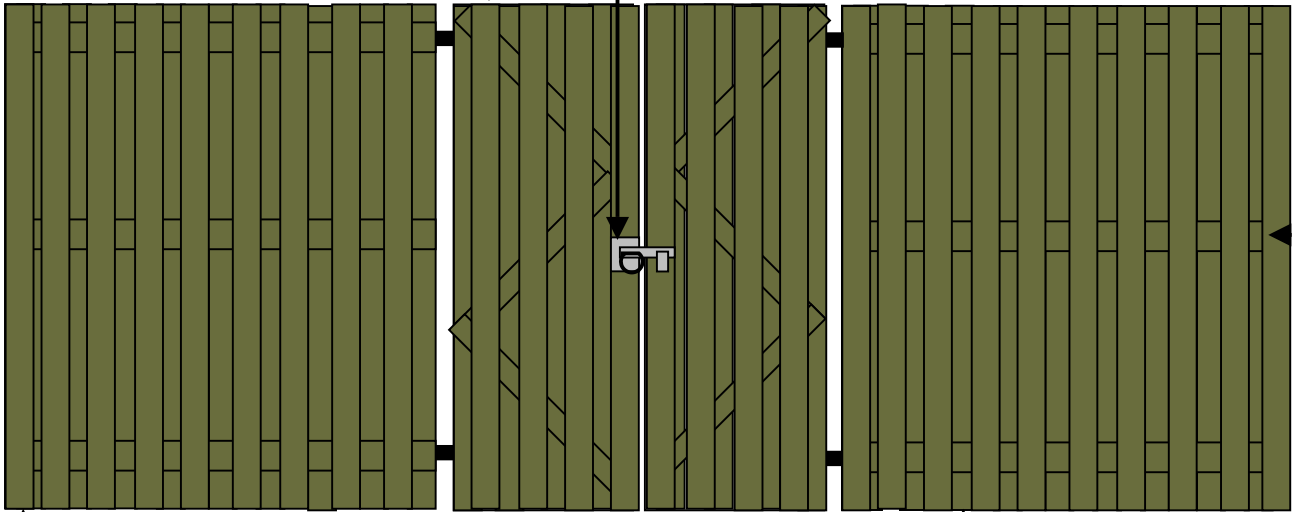
| | | |
|-------------------|--------------|------------------|
| SCALE 1:25 | A4 | |
| ORDER No. | DRAWN PED | DATE 01/12/20 |
| DRG No. 024606-04 | REV. | . |

20mm spacing
between boards



Below is 1.8m high
Example, can be
Done at 2.4m
high with 4 rail

125 x 100
for fence
posts



100 x 50 Rails



Galv Shoes if bolted
to slab
300 x 300 x 700 footing
if in ground

125 x 125
for gate posts.
Typical gates
2.0m doubles

100 x 22 boards
both sides

A. & A. LAMB LIMITED
FENCING CONTRACTORS

0116 247 8396 info@lambfencing.co.uk

Walton New Road, Upper Bruntingthorpe, Leicestershire, LE17 5RD

| | | | | | |
|---|-----------------------|----------------------------|-------------------------|--|---|
| Site: Lambs Generic Drawings | Drawing: | Project: Generic Info | Drawn: J Murg | Notes: Timber is Tanilth E green treated. No staining, | A & A Lamb Limited Walton New Road Upper Bruntingthorpe LE17 5RD |
| Title : Generic Hit and miss drawing | Scale: 1:20 | Date: 26/05/2020 | Rev: A | | |